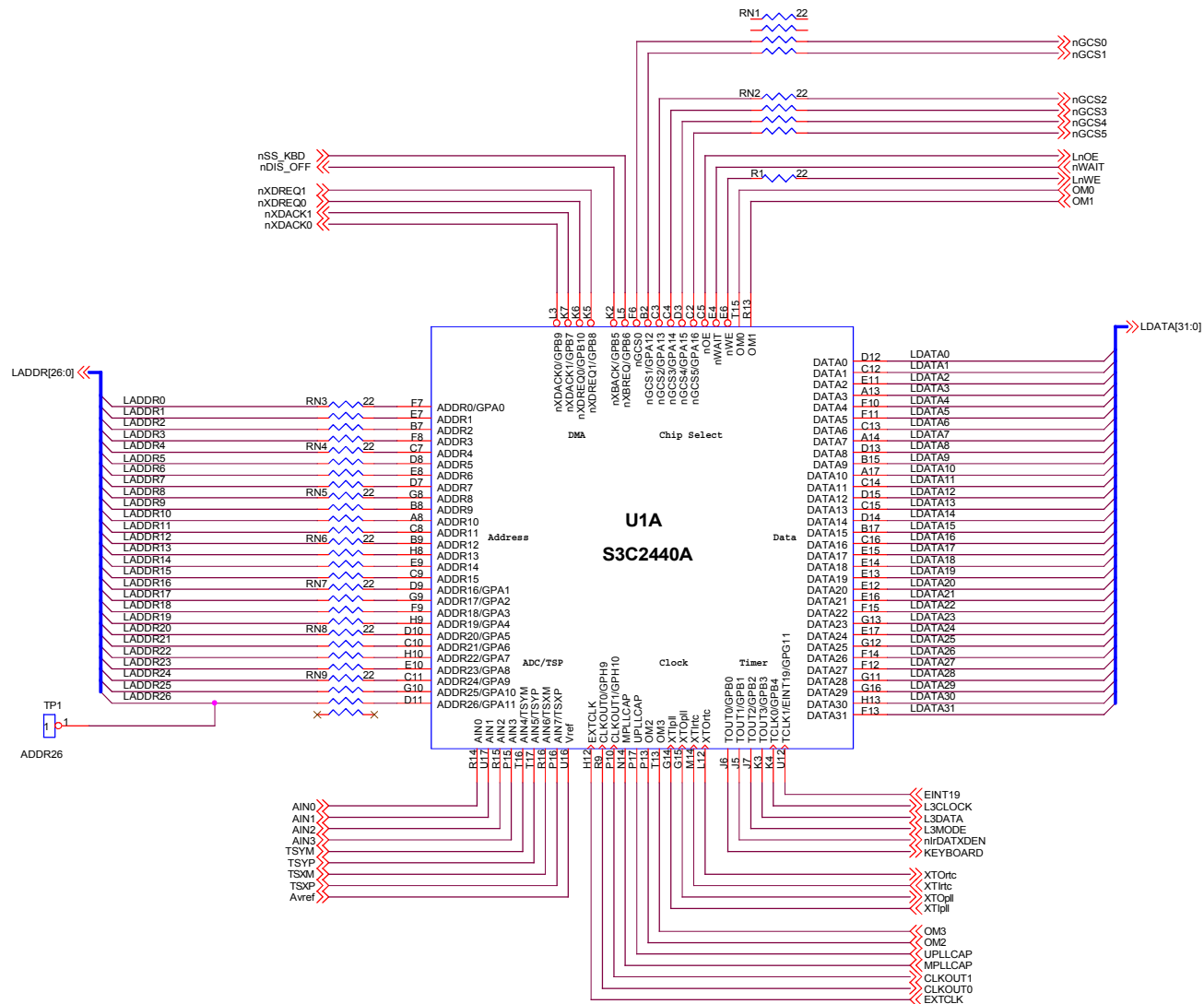
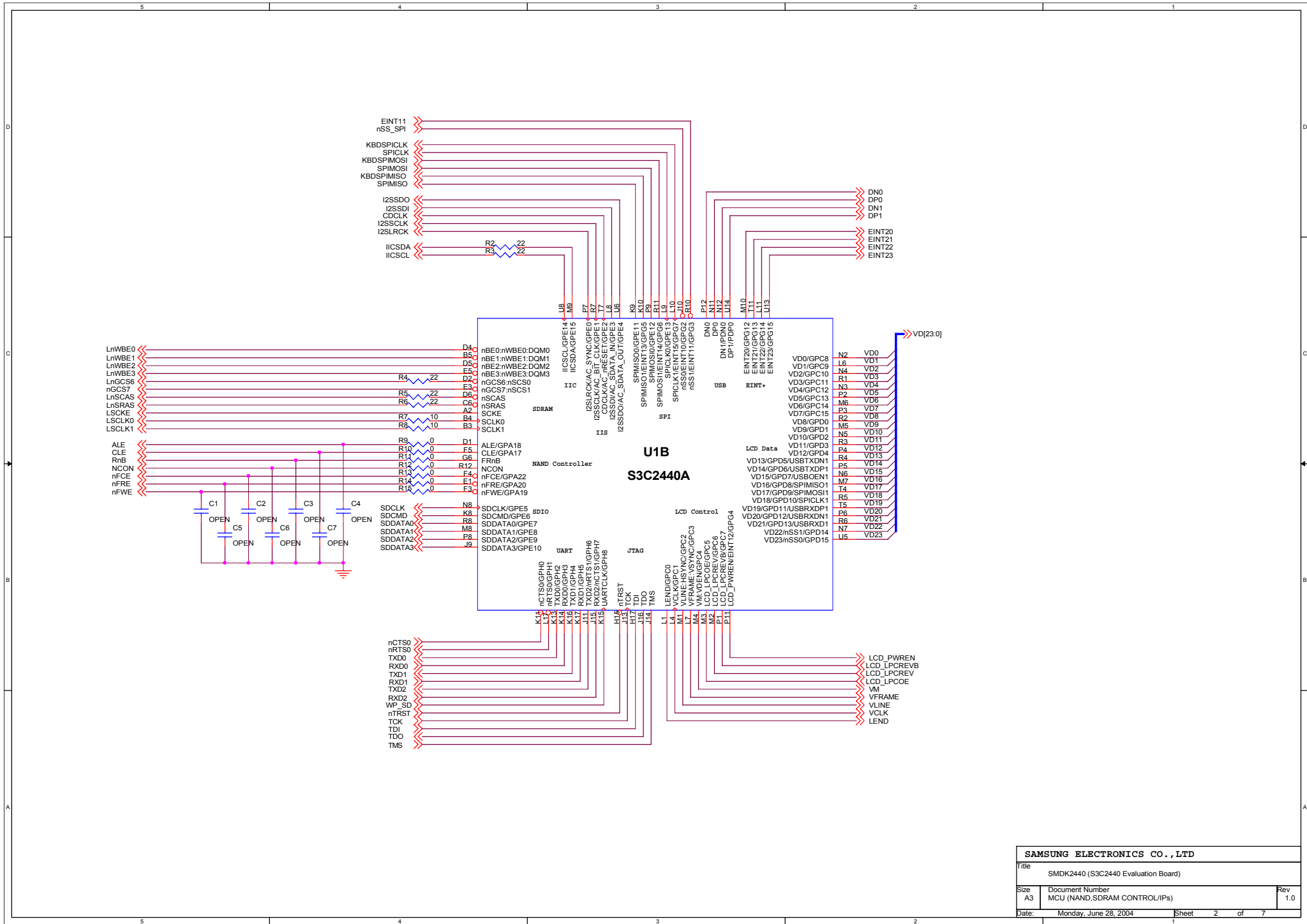


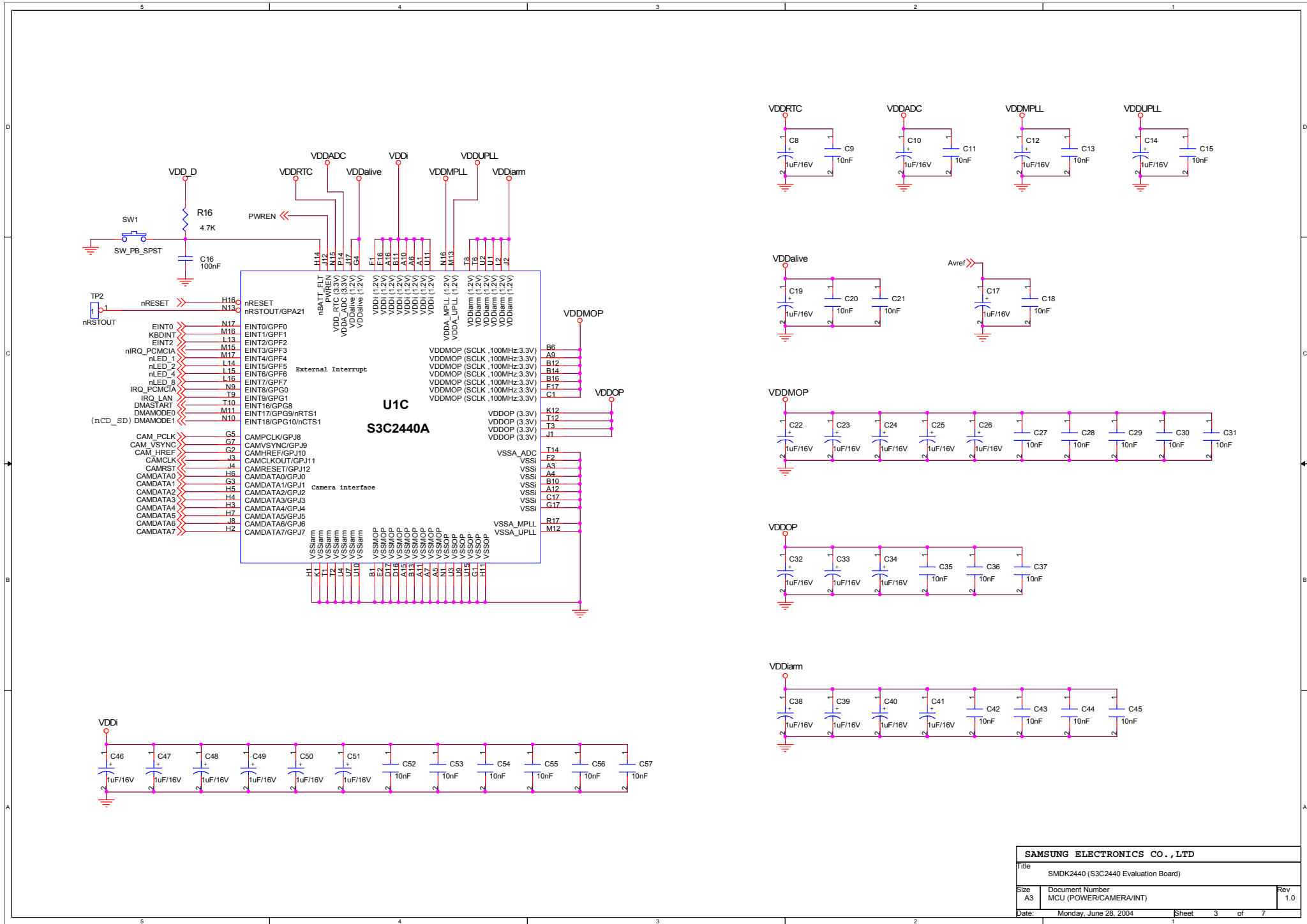
NOTE!!!
 Lxxxx signals should be routed as short as possible.
 Insert pan nut to CPU socket guide hole.



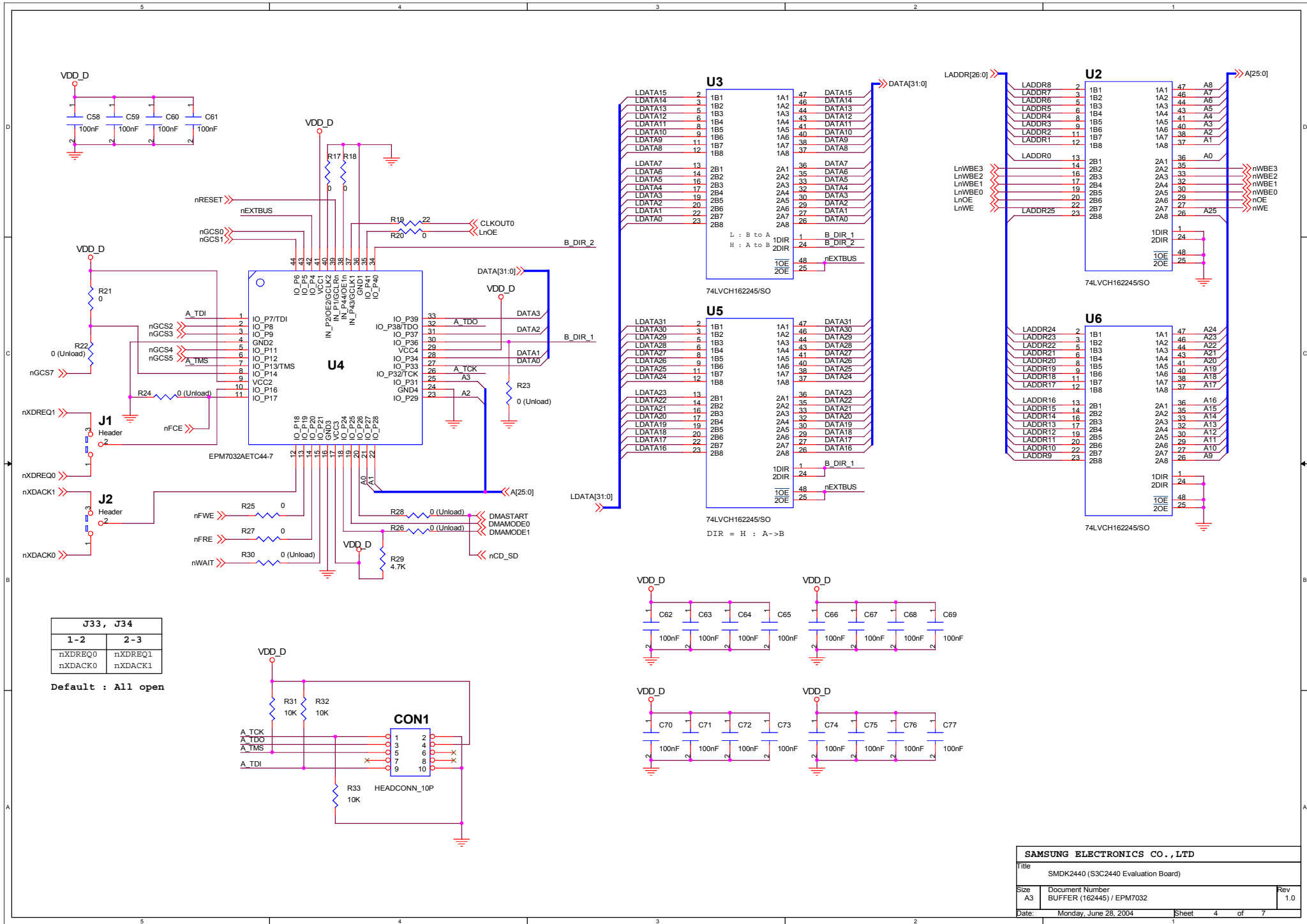
SAMSUNG ELECTRONICS CO., LTD		
Title		
SMDK2440 (S3C2440 Evaluation Board)		
Size	Document Number	Rev
A3	MCU (ADDR/DATA/CLOCK/TIMMER/CS/ADC)	1.0
Date:	Monday, June 28, 2004	Sheet 1 of 7



SAMSUNG ELECTRONICS CO., LTD		
Title		
SMDK2440 (S3C2440 Evaluation Board)		
Size	Document Number	Rev
A3	MCU (NAND, SDRAM CONTROL/IPs)	1.0
Date:	Monday, June 28, 2004	Sheet 2 of 7

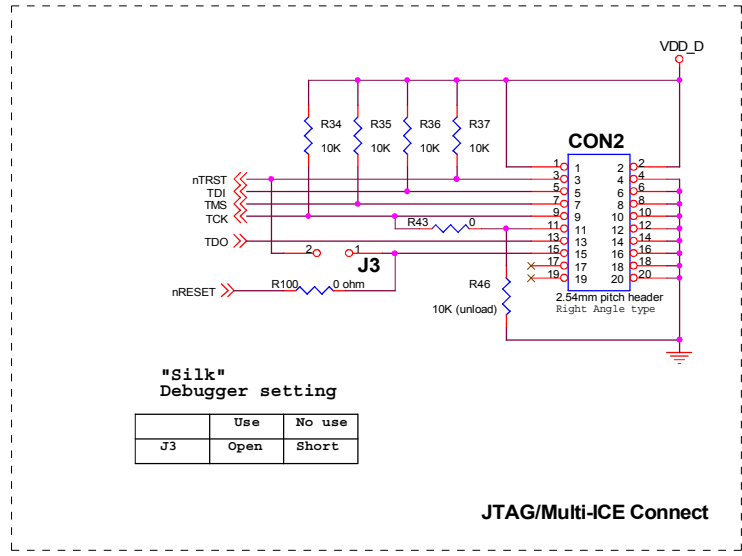
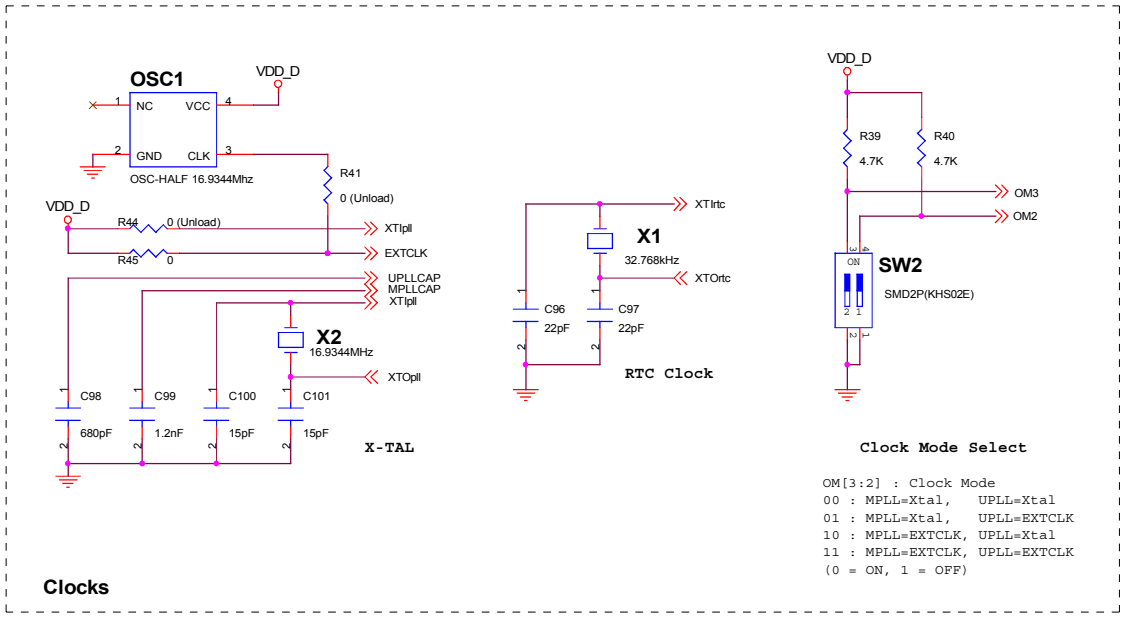
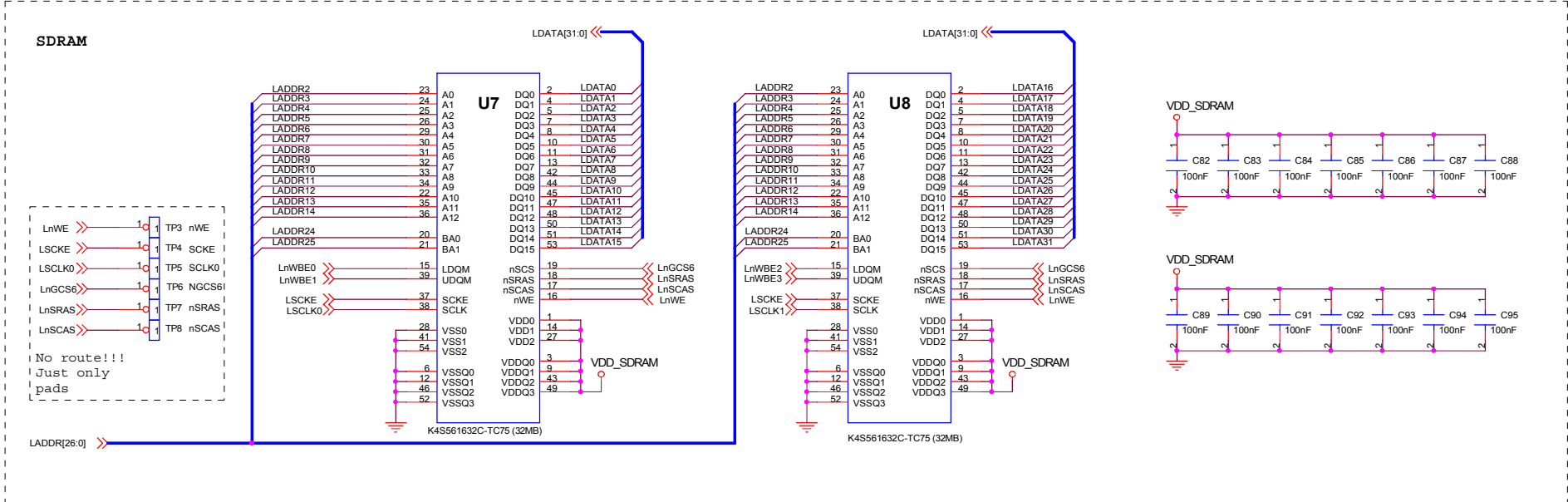


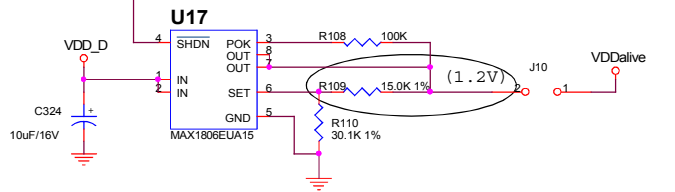
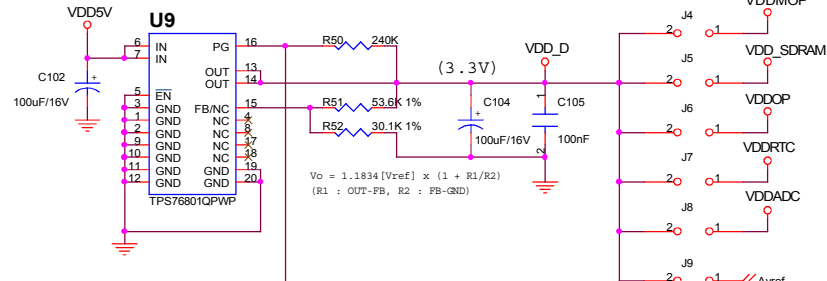
SAMSUNG ELECTRONICS CO., LTD		
Title		
SMDK2440 (S3C2440 Evaluation Board)		
Size	Document Number	Rev
A3	MCU (POWER/CAMERA/INT)	1.0
Date:	Monday, June 28, 2004	Sheet 3 of 7



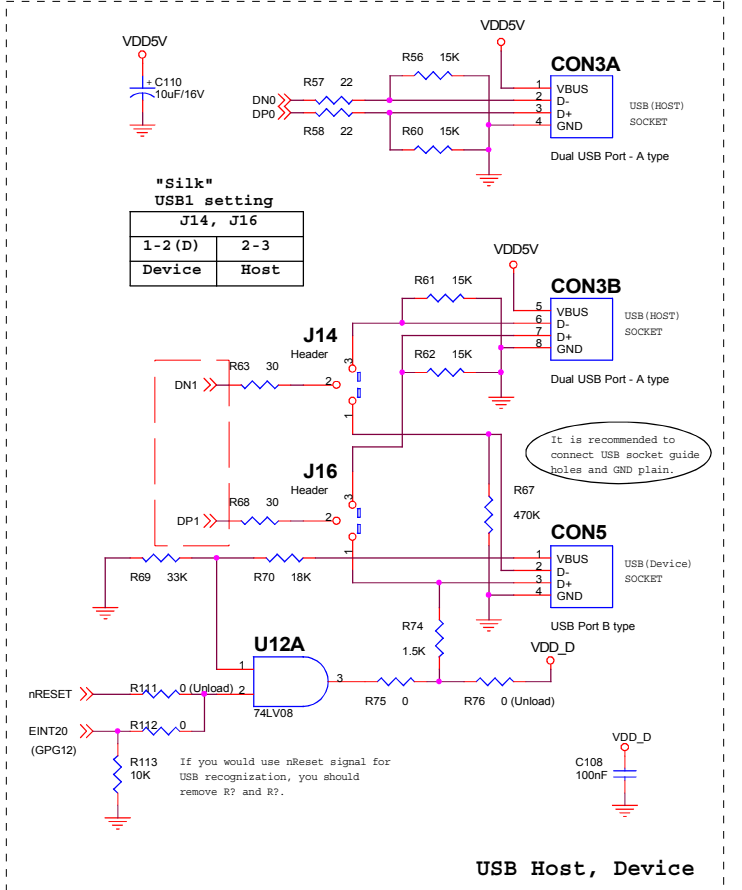
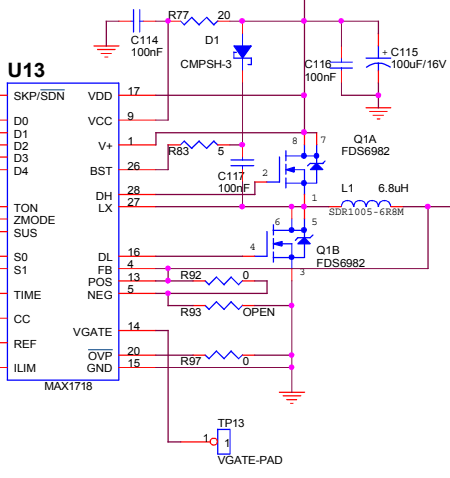
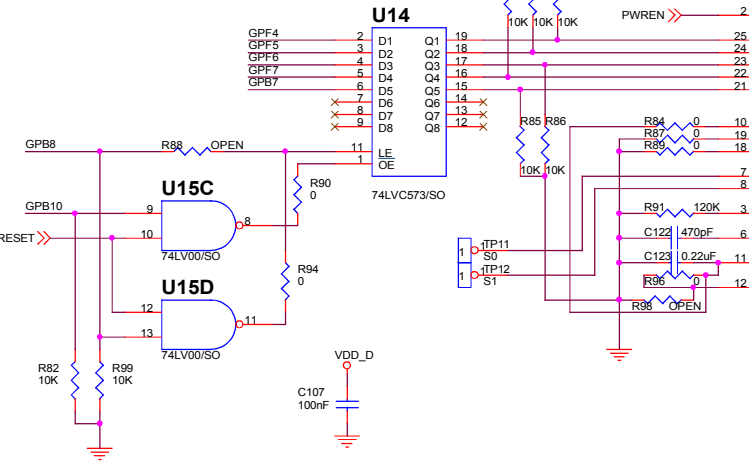
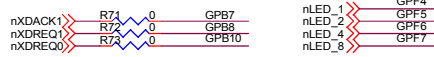
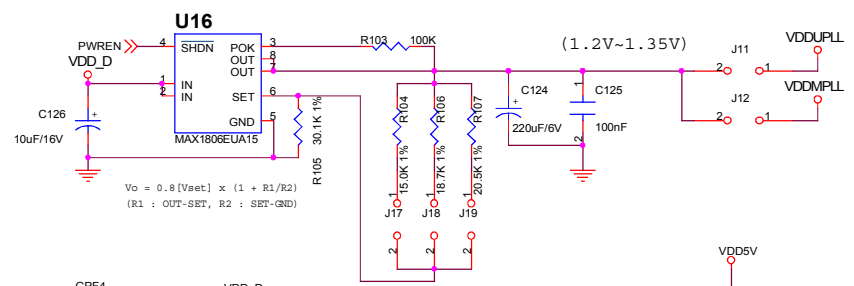
J33, J34	
1-2	2-3
nXDREQ0	nXDREQ1
nXDACK0	nXDACK1

Default : All open

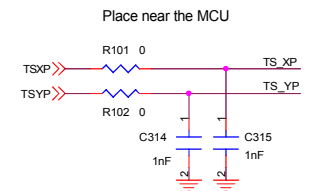
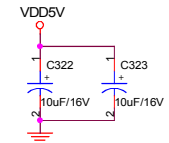
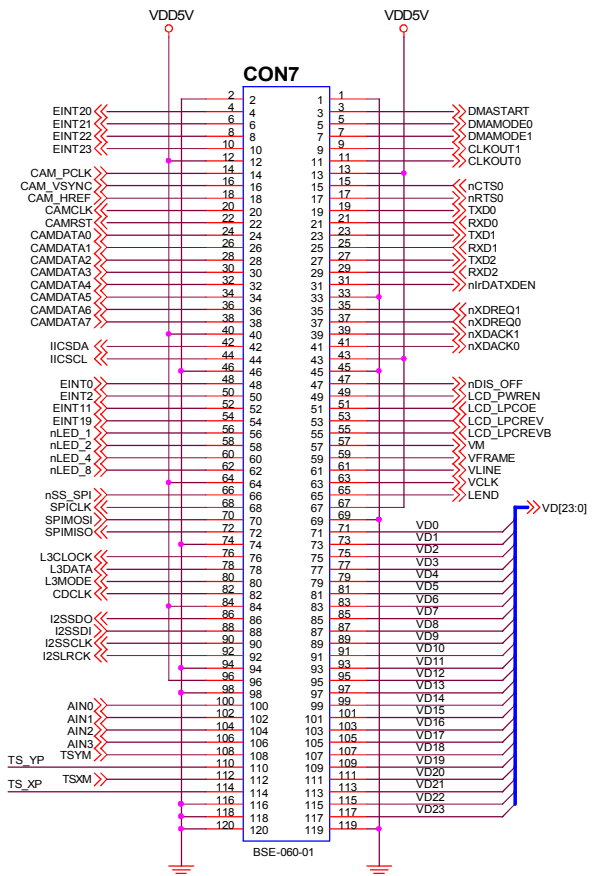
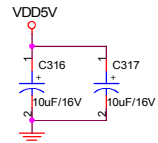
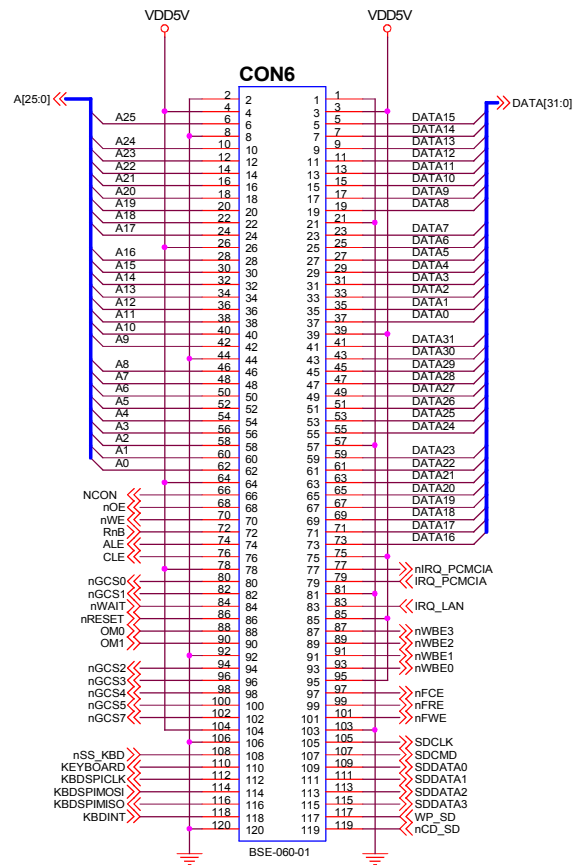




	1.2V	1.3V	1.35V
J17	short	open	open
J18	open	short	open
J19	open	open	short



SAMSUNG ELECTRONICS CO., LTD		
Title SMDK2440 (S3C2440 Evaluation Board)		
Size A3	Document Number POWER / USB	Rev 1.0
Date: Monday, June 28, 2004	Sheet 6	of 7



SAMSUNG ELECTRONICS CO., LTD			
Title			
SMDK2440 (S3C2440 Evaluation Board)			
Size	Document Number	Rev	
A3	Board to Board connector	1.0	
Date:	Monday, June 28, 2004	Sheet	7 of 7