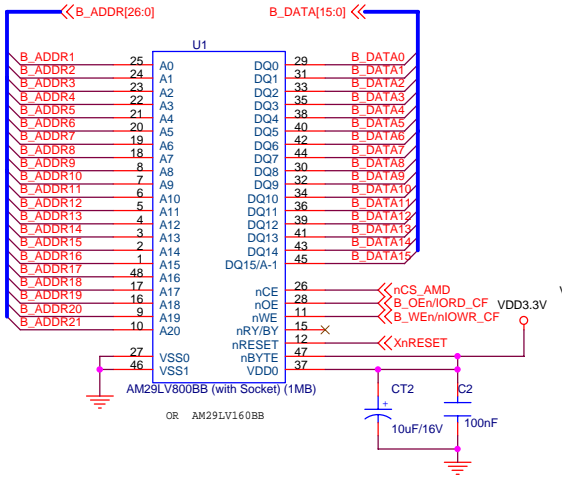
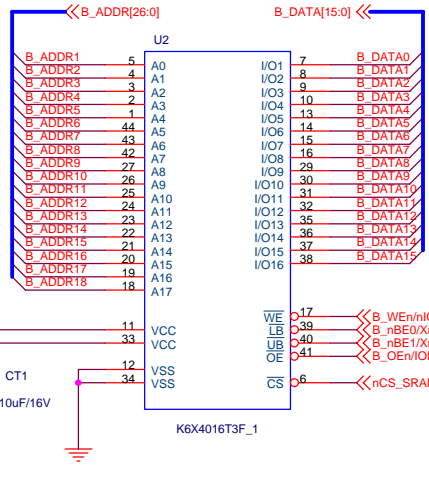


AMD Flash Memory (SOCKET)



SRAM



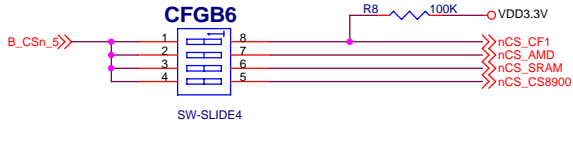
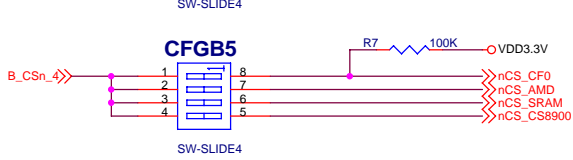
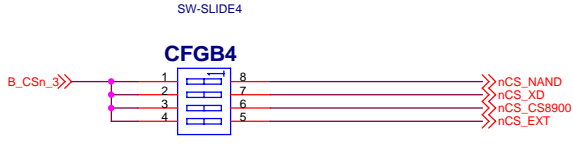
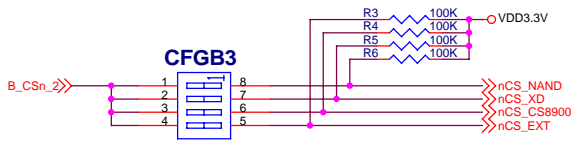
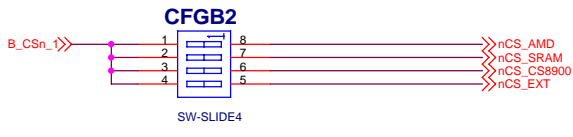
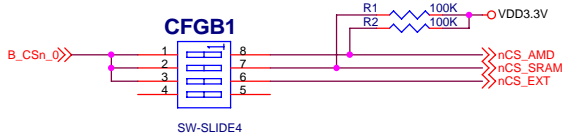
<Silk>

CFGB1:nCS0	SRAM Selector
[3]	External
[2]	SRAM
[1]	NOR (AMD)

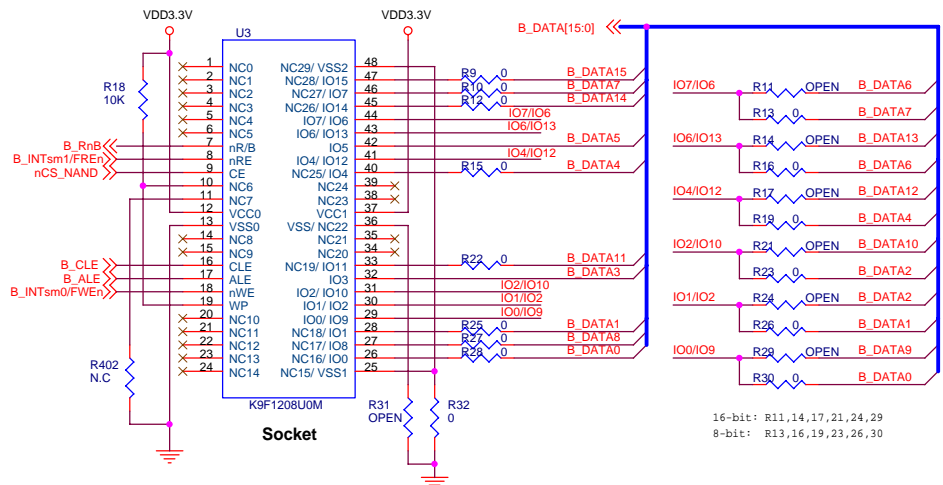
CFGB2:nCS1	SRAM Selector
[4]	External
[3]	CS8900
[2]	SRAM
[1]	NOR (AMD)

CFGB3:nCS2	SRAM Selector
CFGB4:nCS3	External
[4]	External
[3]	CS8900
[2]	XD card
[1]	NAND

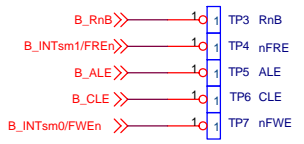
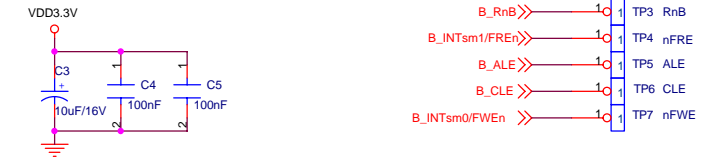
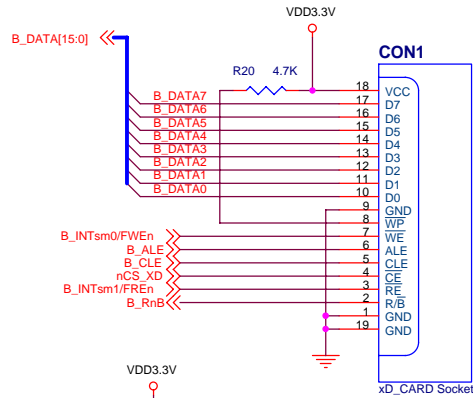
CFGB5:nCS4	SRAM Selector
CFGB6:nCS5	External
[4]	CS8900
[3]	SRAM
[2]	NOR (AMD)
[1]	CF card

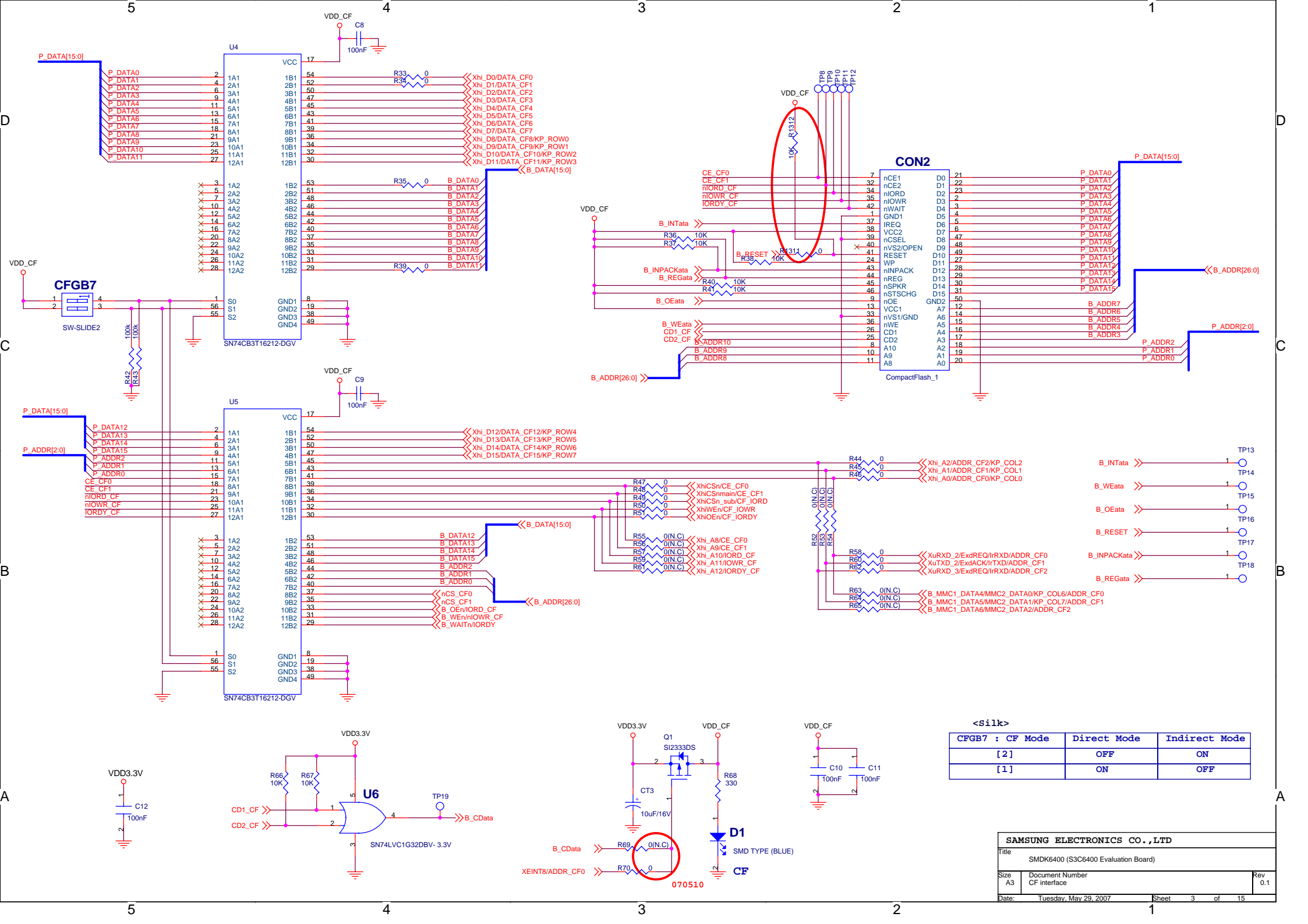


NAND Flash memory (SOCKET)



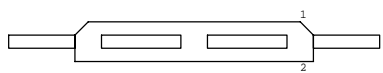
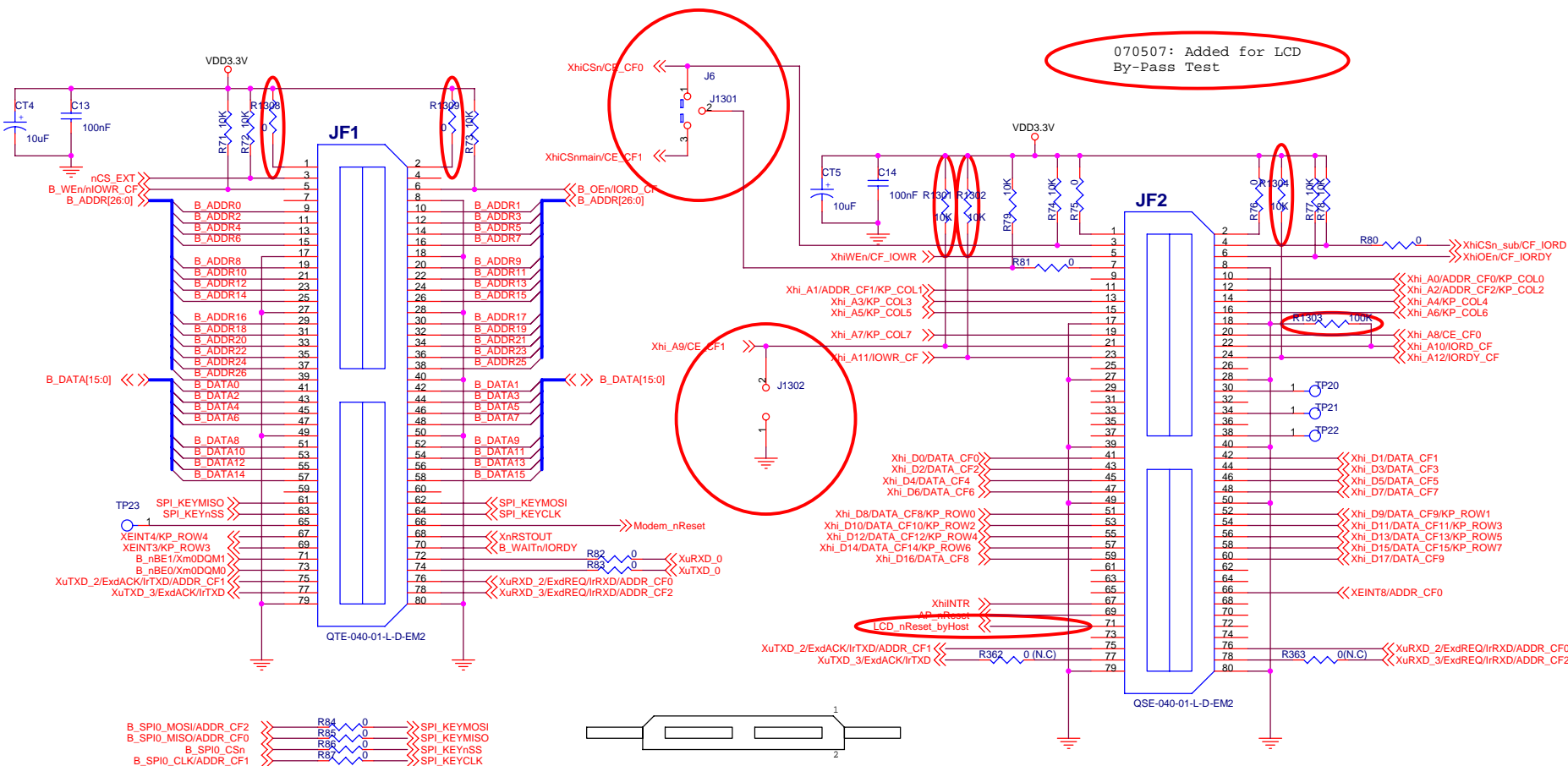
XD PICTURE CARD



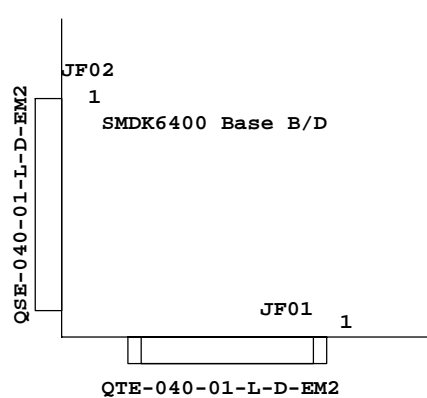


<Silk>

CFGB7 : CF Mode	Direct Mode	Indirect Mode
[2]	OFF	ON
[1]	ON	OFF

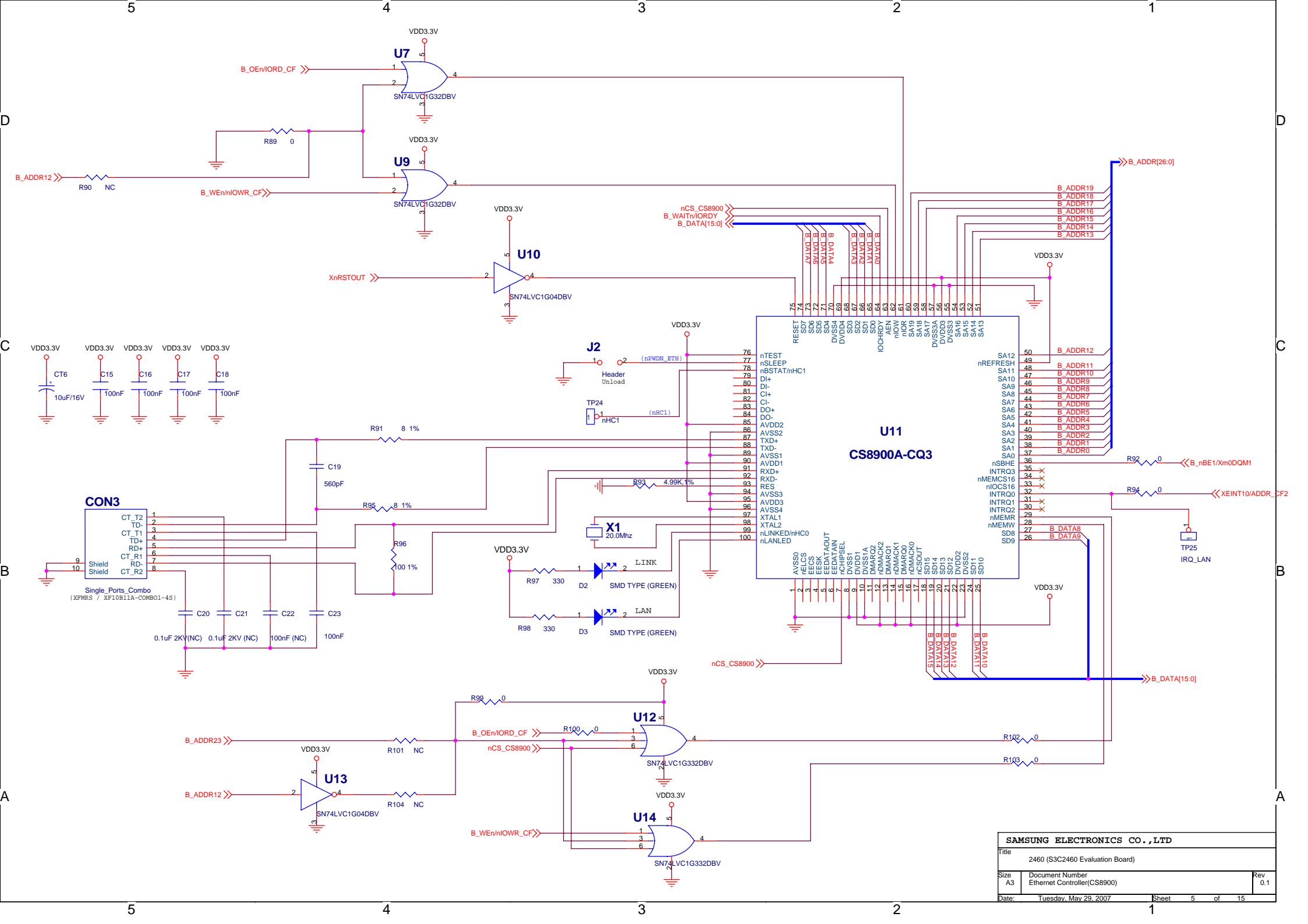


External Keyboard B/D
JF01/JF02

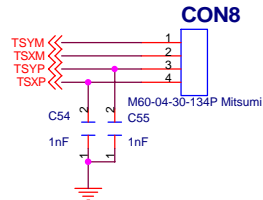
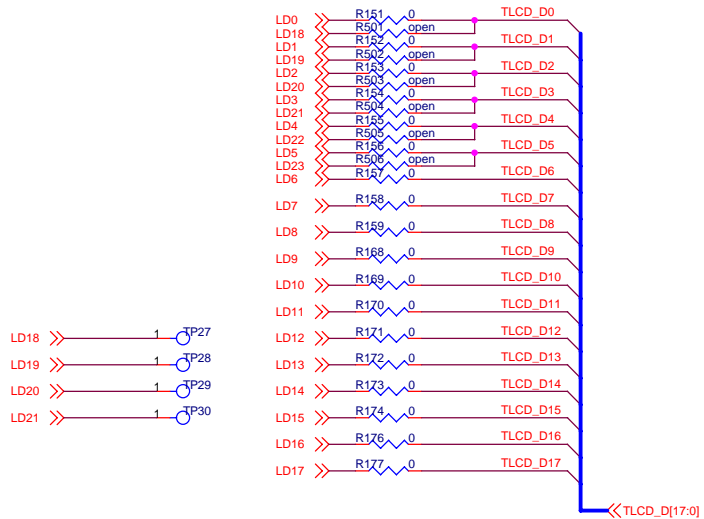
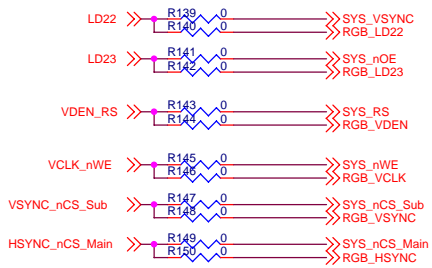


QTE-040-01-L-D-EM2

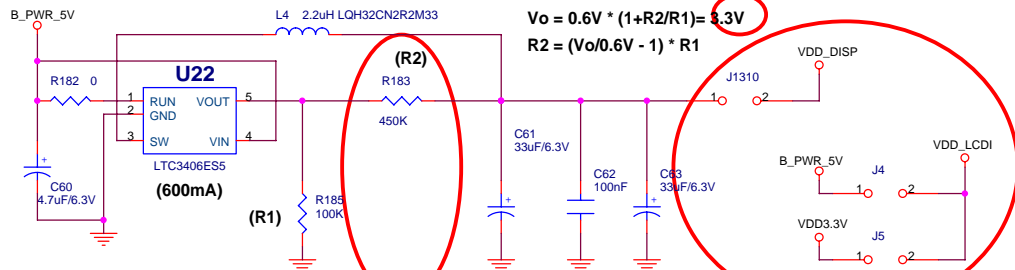
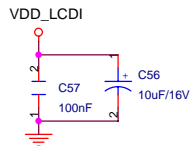
SAMSUNG ELECTRONICS CO., LTD		
Title	SMDK6400 (S3C6400 Evaluation Board)	
Size	Document Number	Rev
A3	External Bus connector	0.1
Date:	Tuesday, May 29, 2007	Sheet 4 of 15



SAMSUNG ELECTRONICS CO., LTD		
Title: 2460 (S3C2460 Evaluation Board)		
Size: A3	Document Number: Ethernet Controller(CS8900)	Rev: 0.1
Date: Tuesday, May 29, 2007	Sheet: 5 of 15	



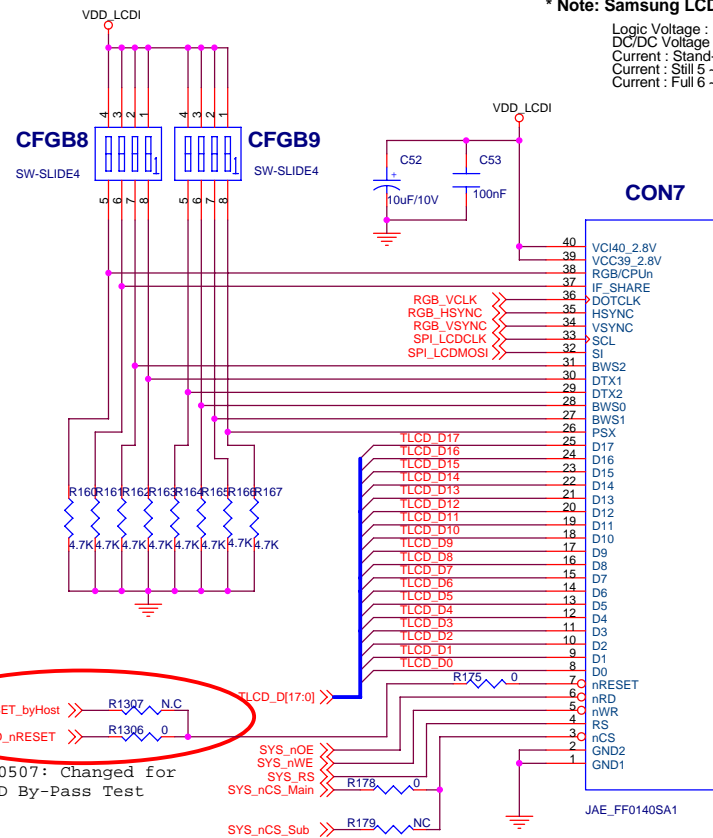
Main LCD Touch Screen



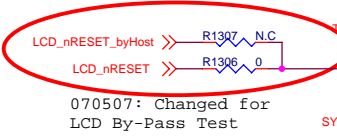
$V_o = 0.6V * (1 + R2/R1) = 3.3V$
 $R2 = (V_o/0.6V - 1) * R1$

07/05/07 R138 has been changed to 450K to make output voltage 3.3V

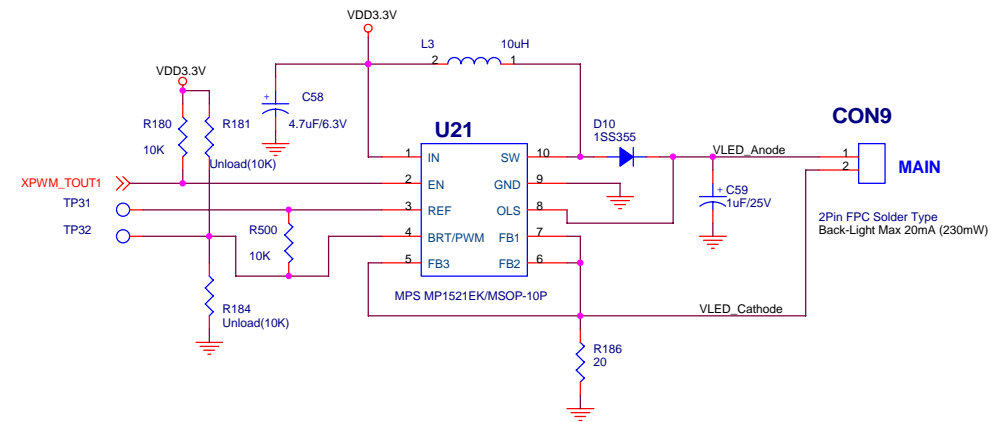
07/05/07 VDD_DISP has been separated from VDD_LCDI to be used for only WVGA Main LCD power



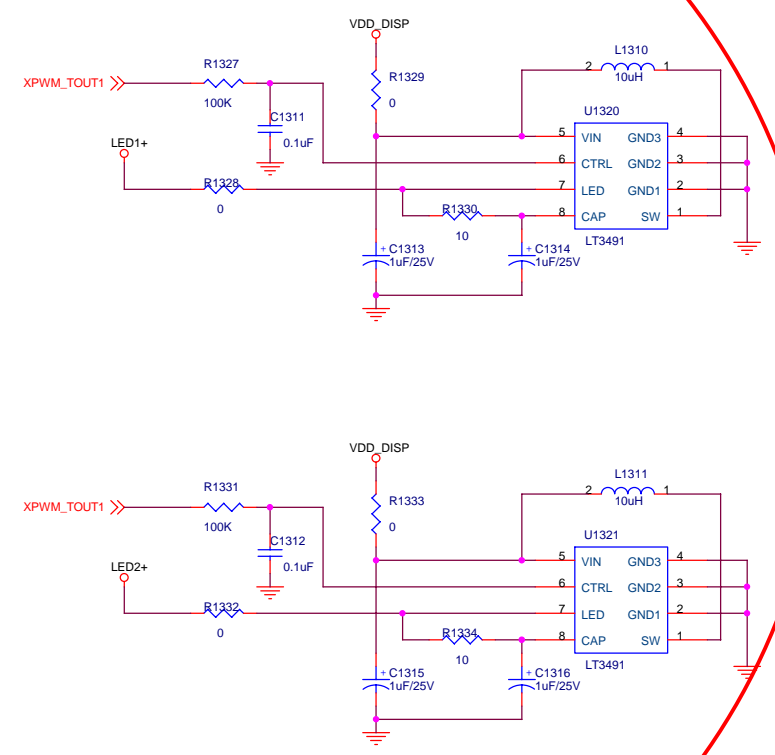
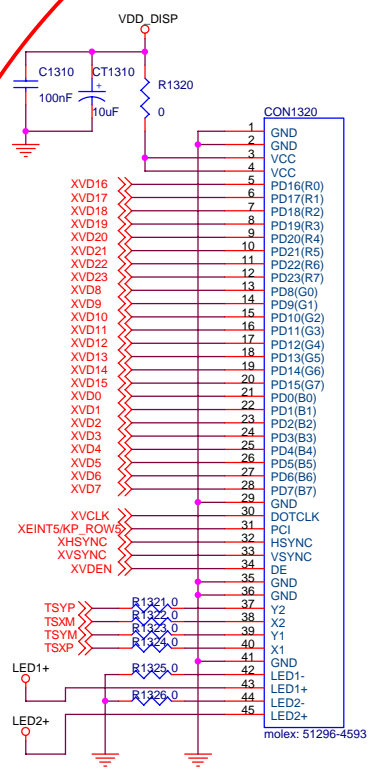
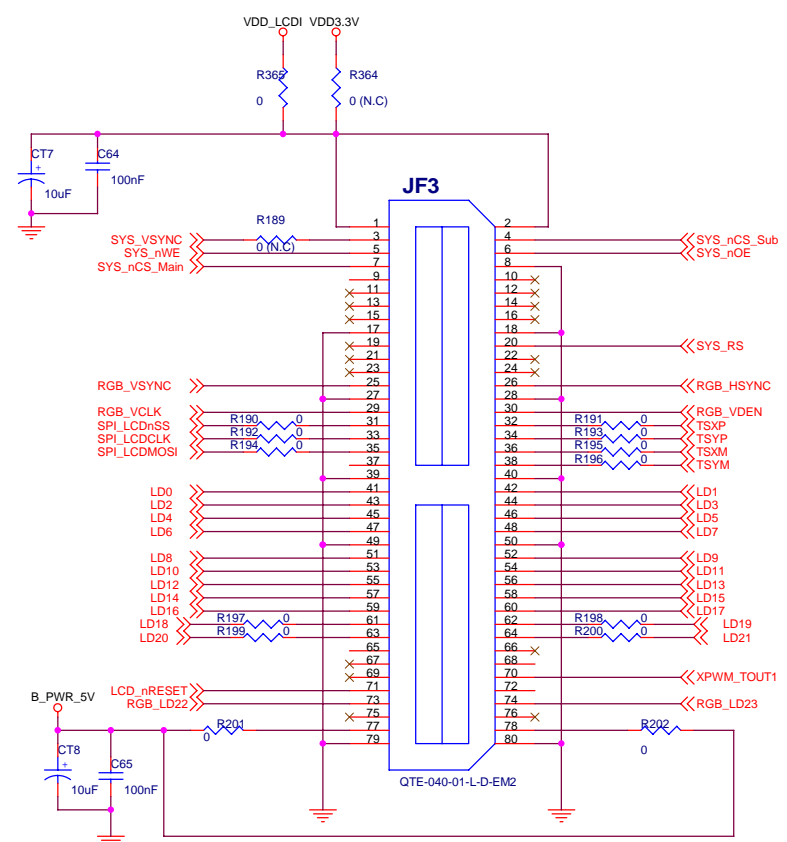
* Note: Samsung LCD LTS222QV-F01 (2.22")
 Logic Voltage : 1.7/2.8/3.3V
 DC/DC Voltage : 2.5/2.8/3.3V
 Current : Stand-by 30 ~ 100uA
 Current : Still 5 ~ 9mA
 Current : Full 6 ~ 10mA



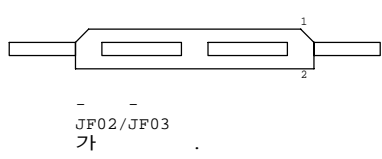
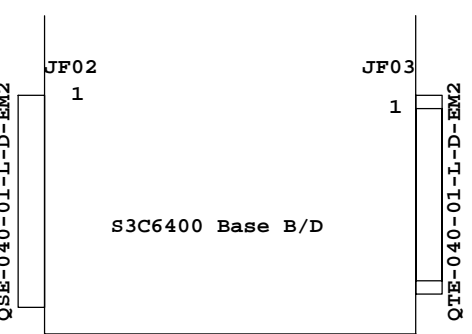
070507: Changed for LCD By-Pass Test



SAMSUNG ELECTRONICS CO.,LTD		
Title	SMDK6400 (S3C6400) Evaluation Board	
Size	Document Number	Rev
A3	LCD-CPU18bpp/RGB666_240x320	0.1
Date:	Tuesday, May 29, 2007	Sheet 7 of 15

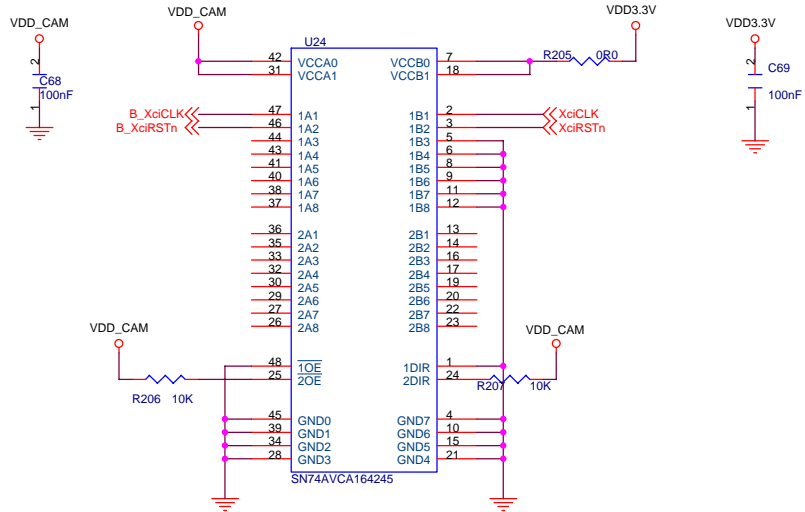
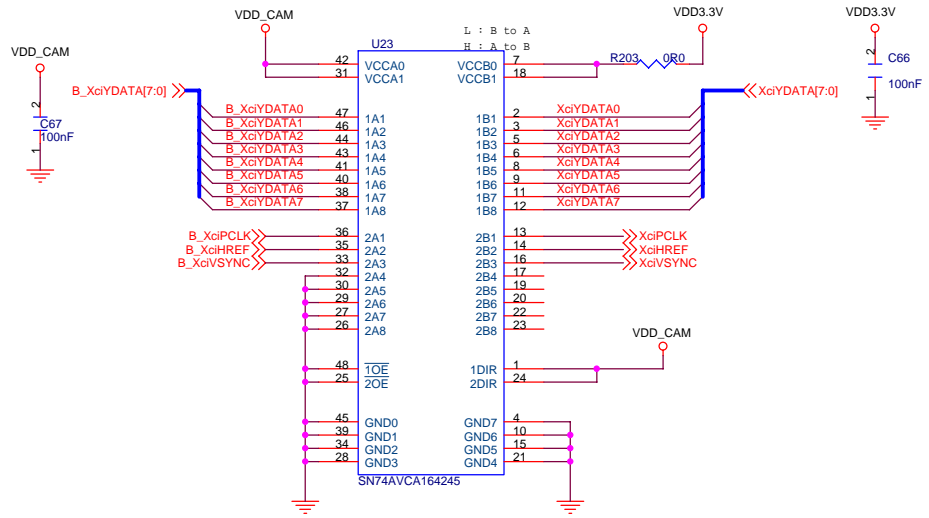
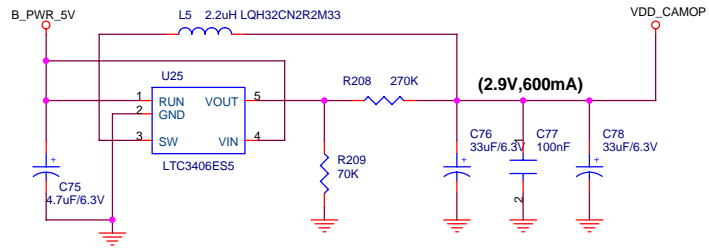
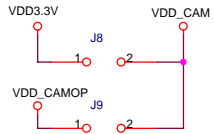
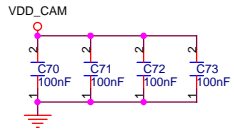
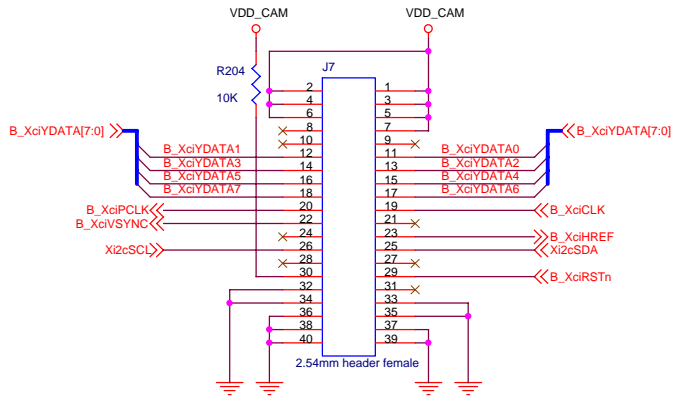


070507: These are added for WVGA 4.8inch LCD Module I/F

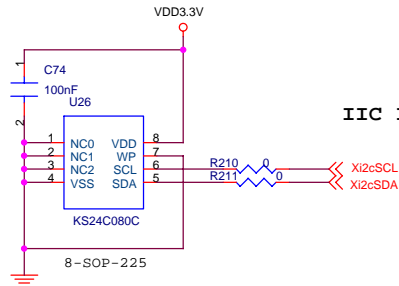


SAMSUNG ELECTRONICS CO., LTD			
Title SMDK6400-BASE (S3C6400 Evaluation Board)			
Size A3	Document Number LCD 4.8inch/LCD Ext	Rev 0.1	
Date: Tuesday, May 29, 2007	Sheet 8	of	15

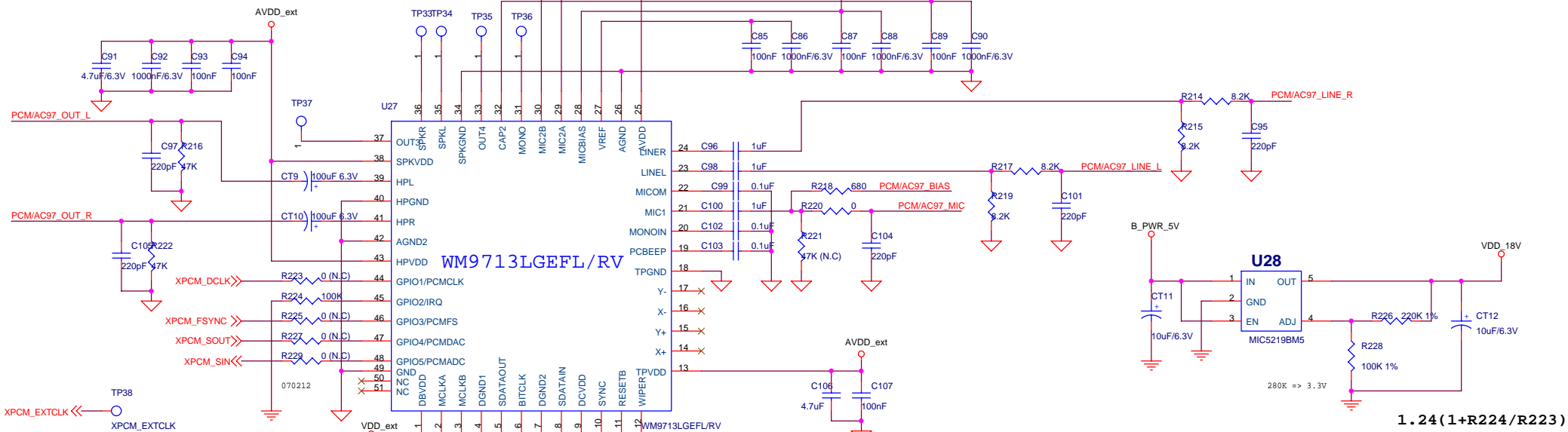
Camera Interface



IIC Interface



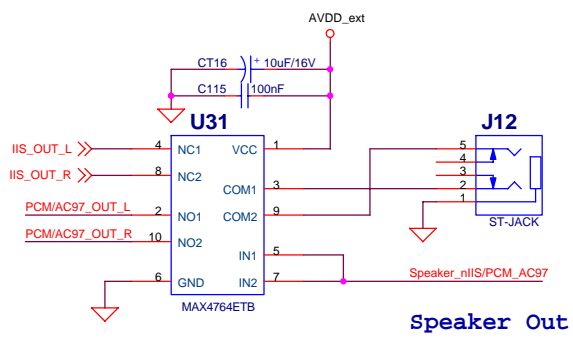
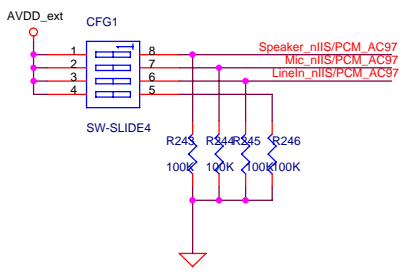
Title		
SMDK6400 (S3C6400 Evaluation Board)		
Size	Document Number	Rev
A3	Camera/IIC	0.1
Date:	Tuesday, May 29, 2007	Sheet 9 of 15



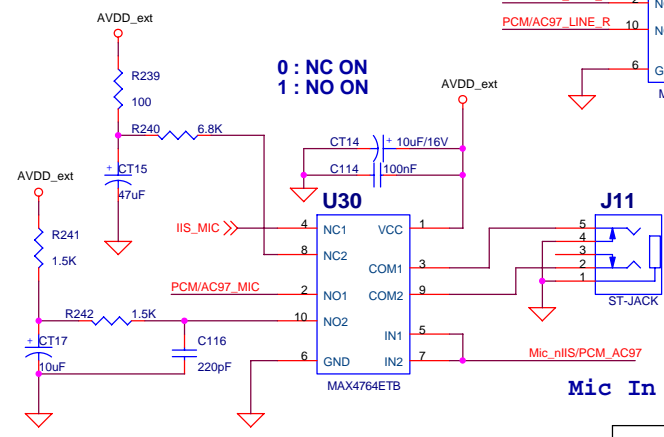
1.24 (1+R224/R223)

<Silk>

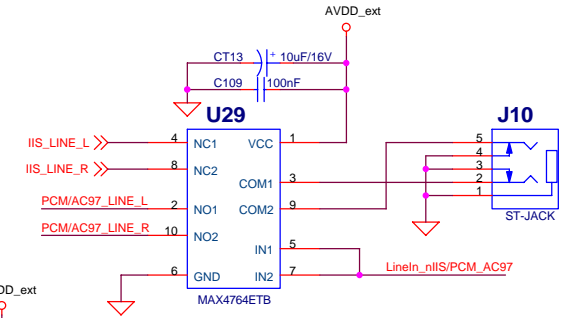
CFG1: Audio Connector	Selector
[1] : Speaker	Off: IIS
[2] : Mic	On: PCM/AC97
[3] : LineIn	
[4] : Reserved	



Speaker Out

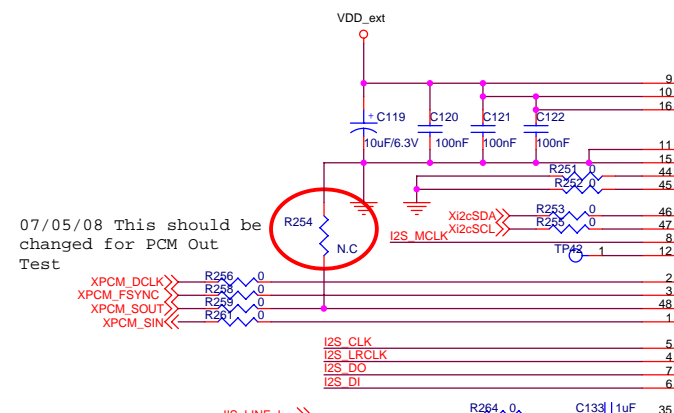
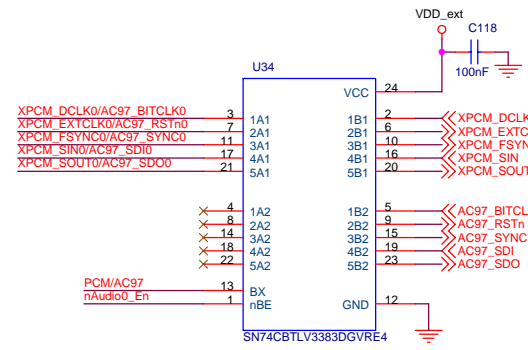
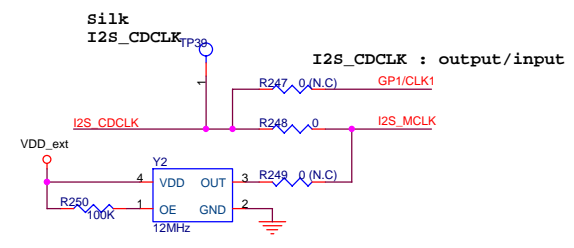
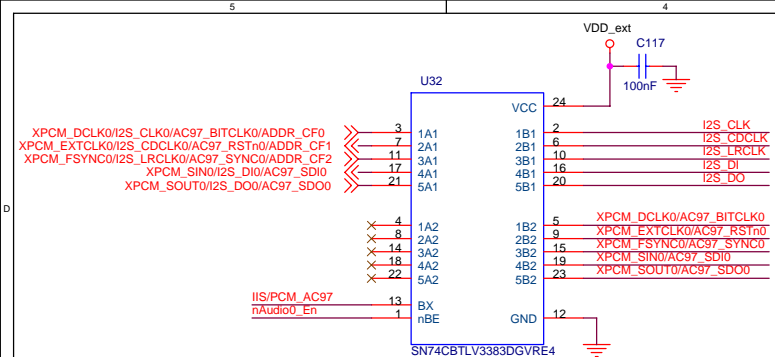


Mic In

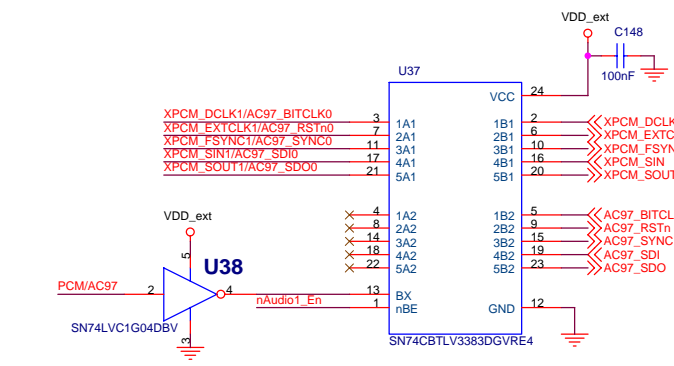
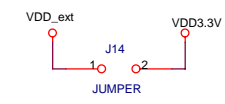
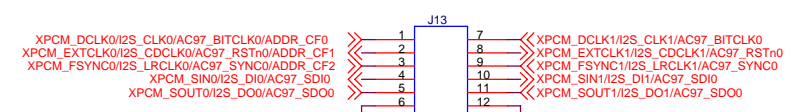
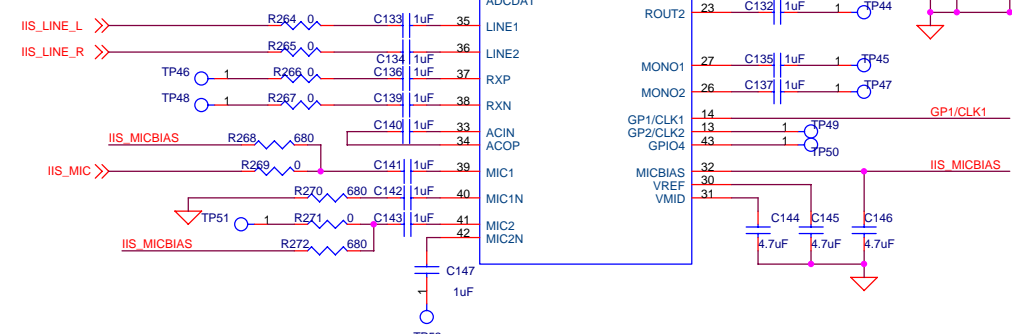
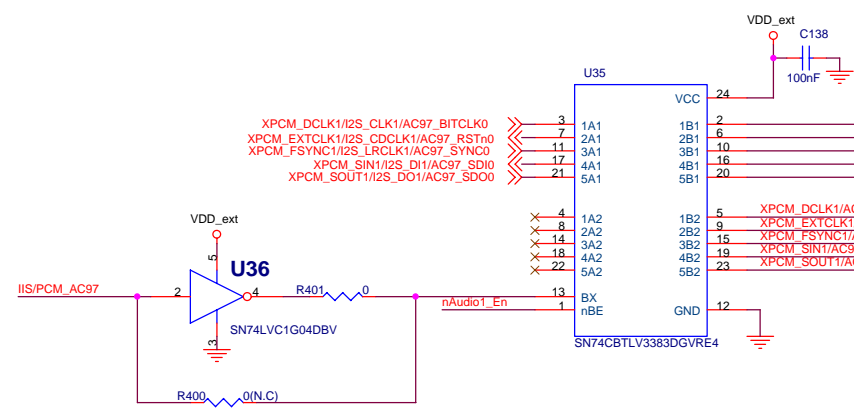


Line In

Title SMDK6400 (S3C6400 Evaluation Board)		
Size A3	Document Number Audio(PCM/AC97)	Rev 0.1
Date: Tuesday, May 29, 2007	Sheet 10	of 15



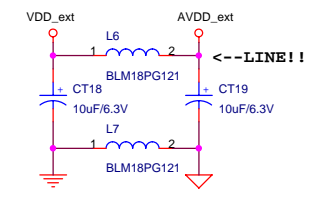
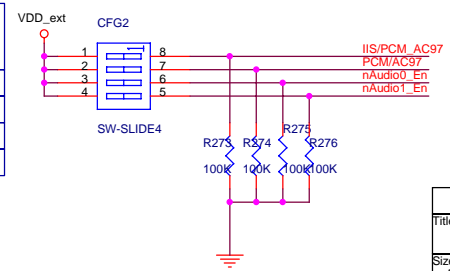
07/05/08 This should be changed for PCM Out Test

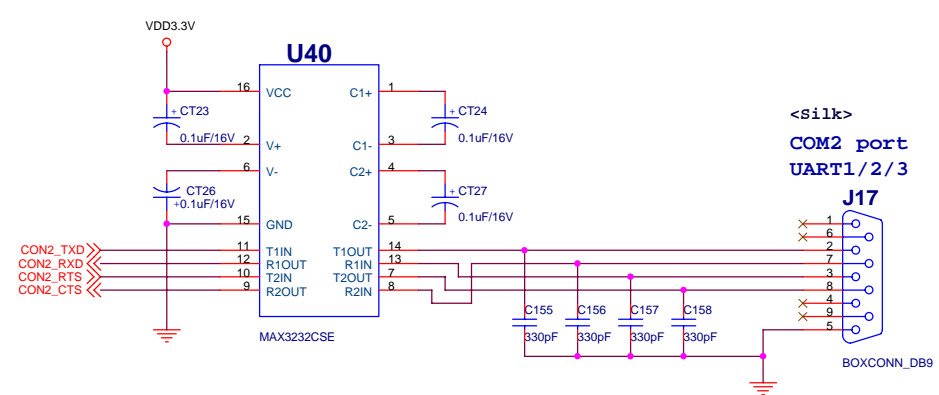
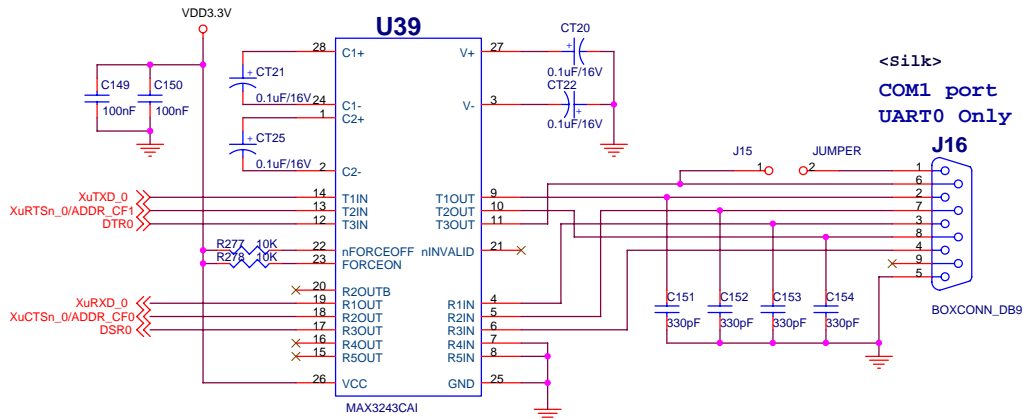


<Silk>

CFG2 : Audio port		[4]	[3]	[2]	[1]
IIS	AC97	OFF	OFF	OFF	OFF
PCM	IIS	OFF	OFF	OFF	ON
IIS	PCM	OFF	OFF	ON	OFF
AC97	IIS	OFF	OFF	ON	ON

CFG2.[3] : Audio0	OFF: Enable ON: Disable
CFG2.[4] : Audio1	OFF: Enable ON: Disable



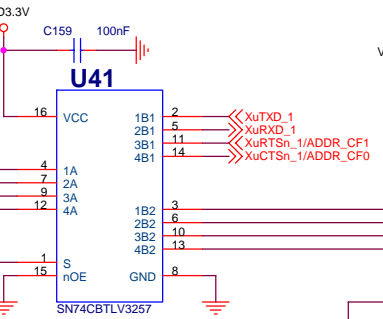


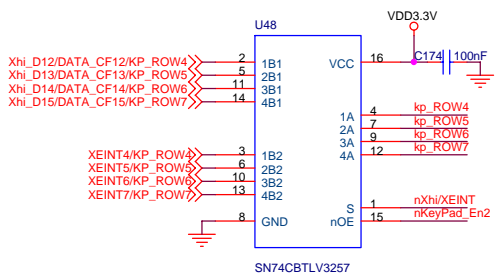
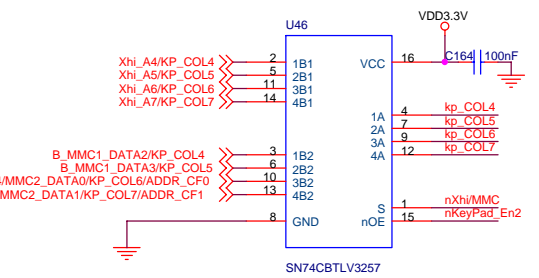
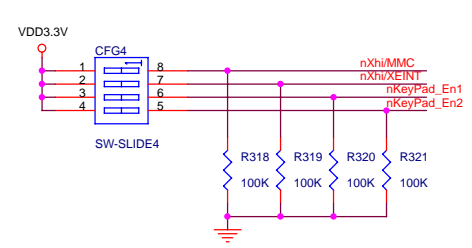
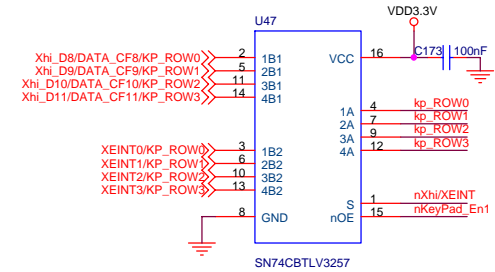
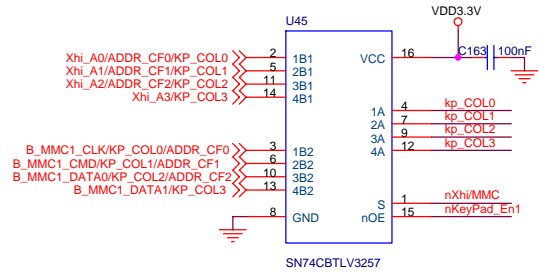
XEINT6/KP_ROW6 >>> R279 0 (N.C.) >>> DTR0
 XEINT7/KP_ROW7 >>> R280 0 (N.C.) >>> DSR0

S - L : B1 port,
 H : B2 port
 OE - L : Output enable
 H : all disconnect

COM2 port
 CFG3 Control <Silk>

CFG3 : COM2 port	PIN1	PIN2	PIN3	PIN4
UART1	OFF	X	X	X
UART2	ON	OFF	OFF	OFF
UART3	ON	ON	ON	OFF
IrDA (U2)	X	X	ON	OFF
IrDA (U3)	X	X	OFF	OFF

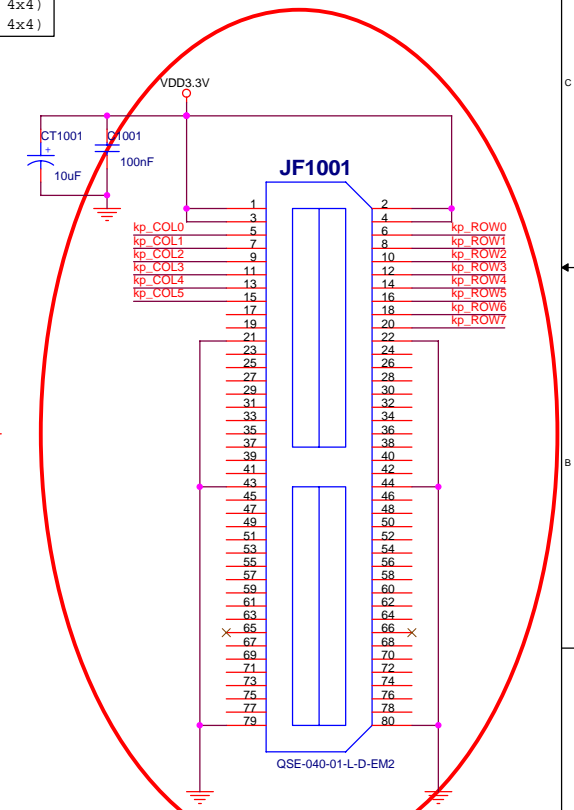
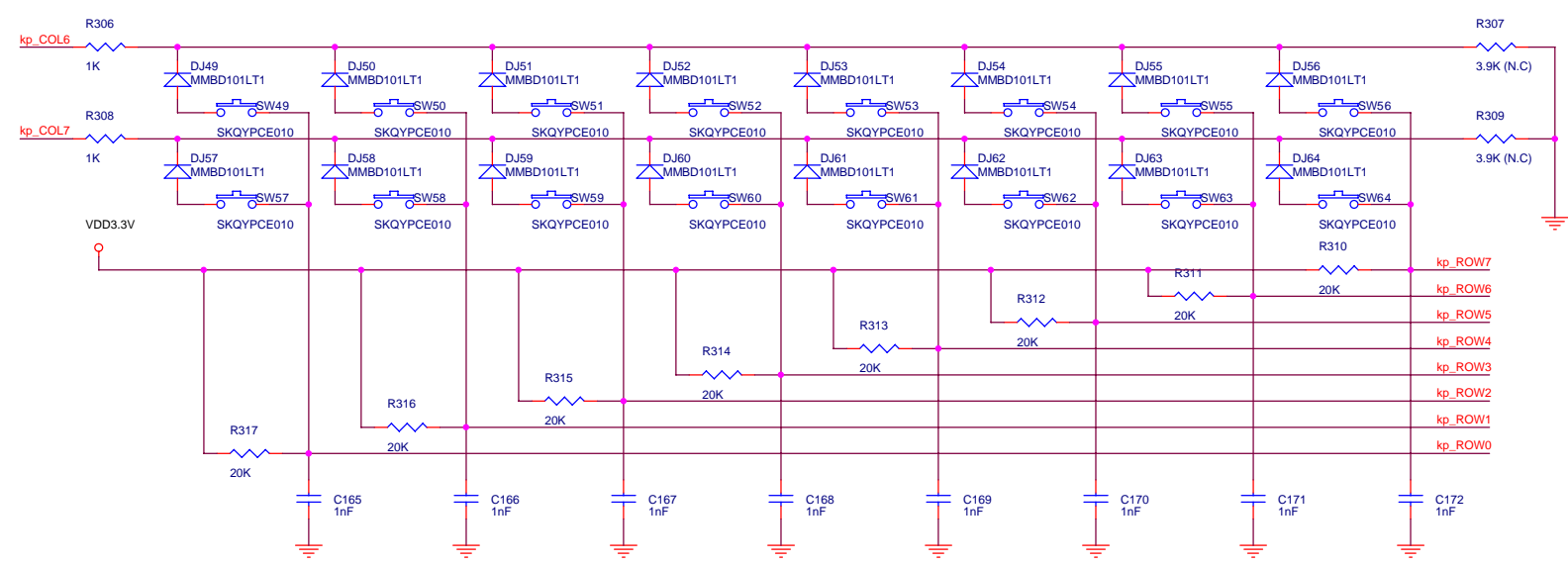




KeyPad CFG4 Control <Silk>

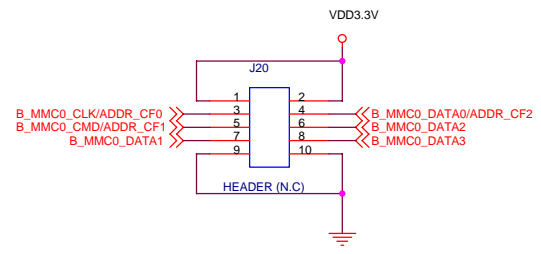
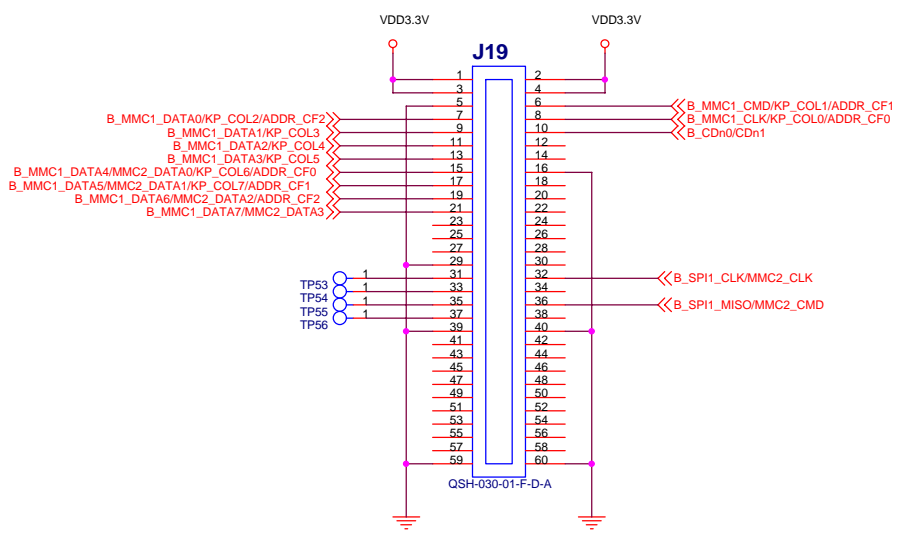
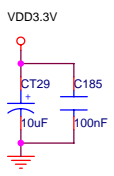
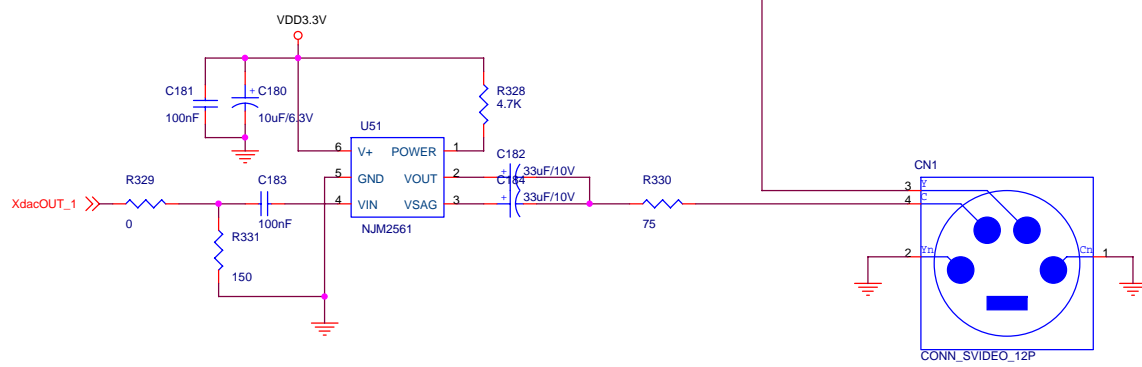
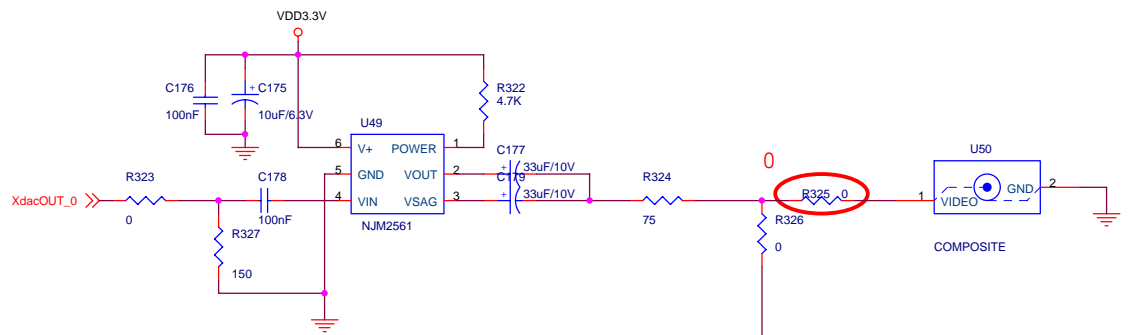
CFG4 : Keypad	Func
1 (Column)	OFF : Host I/F ON : MMC
2 (Row)	OFF : Host I/F ON : XEINT
3 (Key_En1)	OFF : Key Enable(Low 4x4) ON : Key Disable(Low 4x4)
4 (Key_En2)	OFF : Key Enable(High 4x4) ON : Key Disable(High 4x4)

kp_COL0 ~ kp_COL5 External

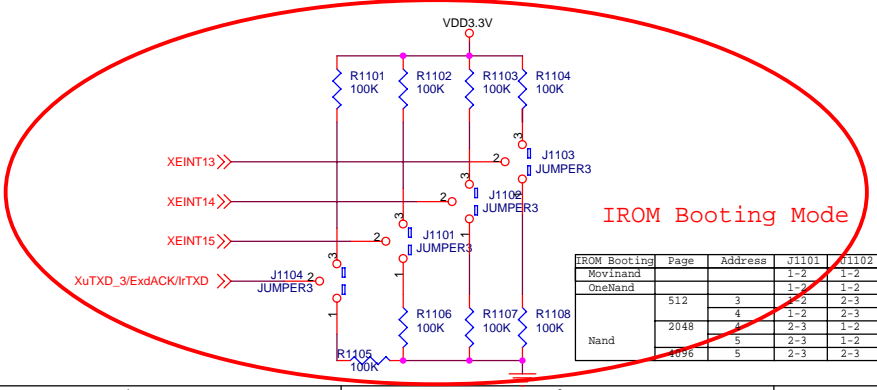
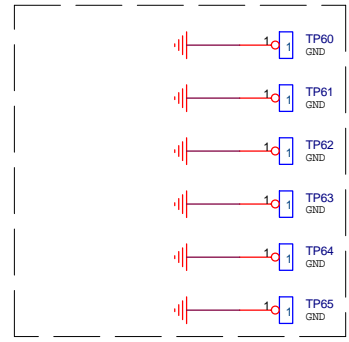
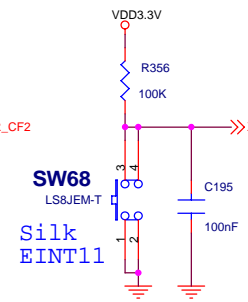
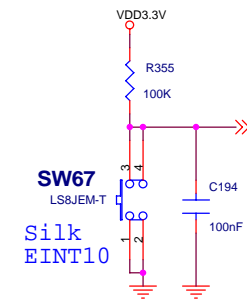
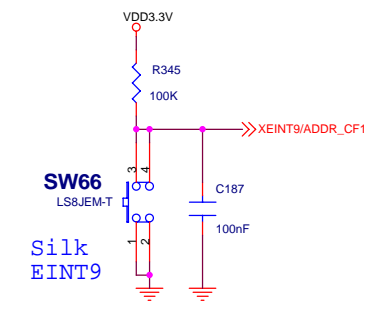
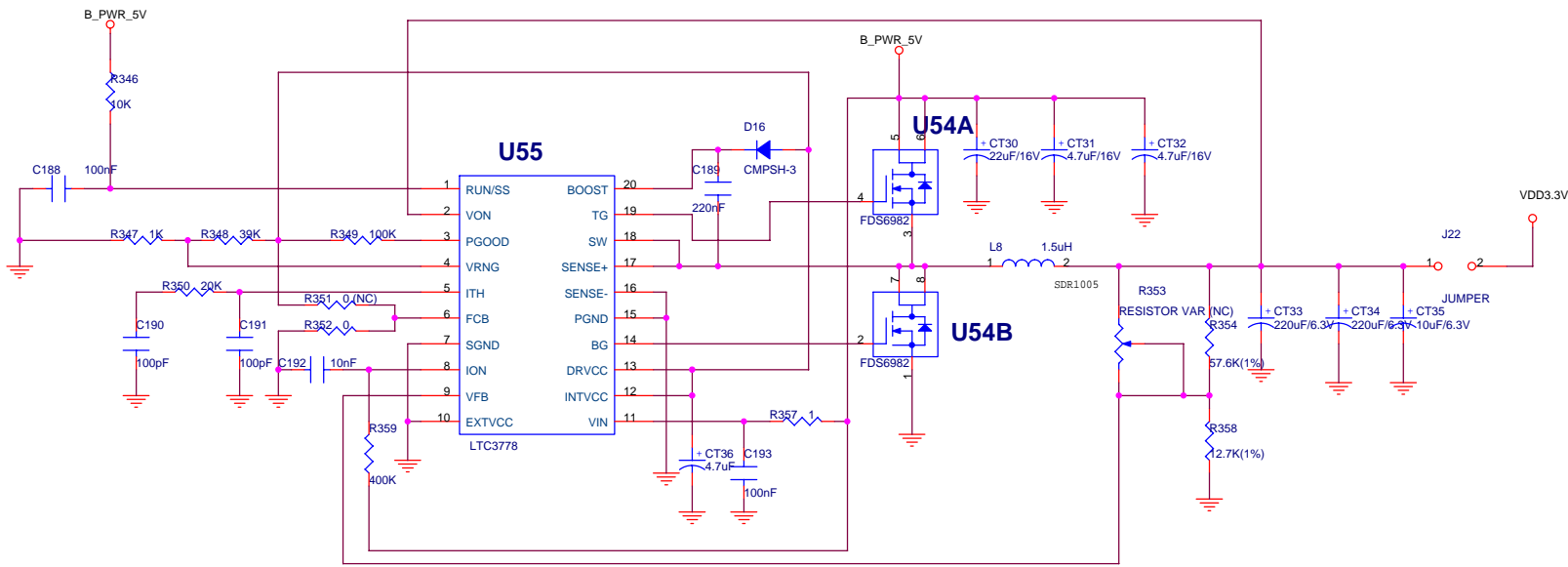
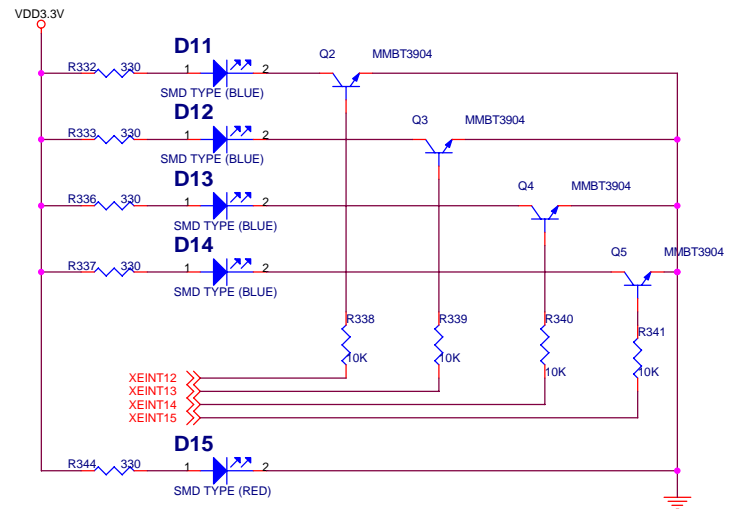
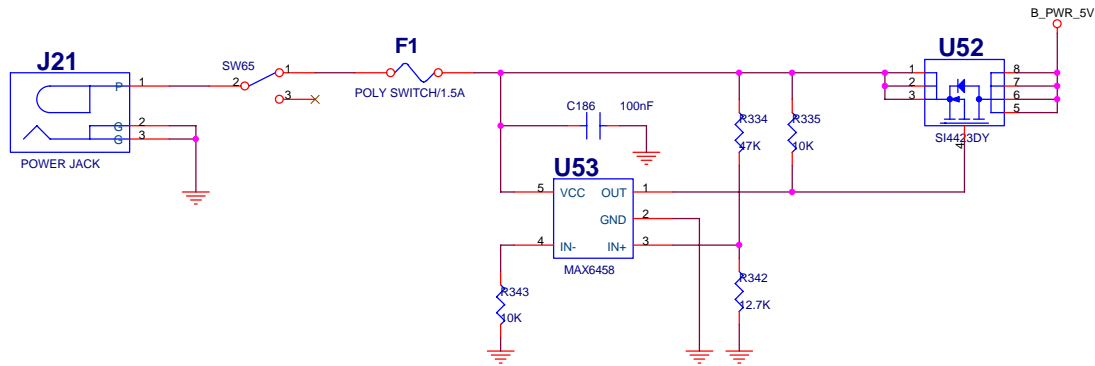


kp_COL0 ~ kp_COL5 External 30pin connector

Title		
SMDK6400 (S3C6400 Evaluation Board)		
Size	Document Number	Rev
A3	KeyPad	0.1
Date:	Tuesday, May 29, 2007	Sheet 13 of 15



Title		
SMDK6400 (S3C6400 Evaluation Board)		
Size	Document Number	Rev
A3	HSMC/TV	0.1
Date:	Tuesday, May 29, 2007	Sheet 14 of 15



IROM Booting Mode

IROM Booting	Page	Address	J1101	J1102	J1103
MoveNand			1-2	1-2	1-2
OneNand			1-2	1-2	2-3
Nand	512	3	2-2	2-3	1-2
	2048	4	1-2	1-2	2-3
		5	2-3	1-2	1-2
	4096	5	2-3	2-3	X

가 070510