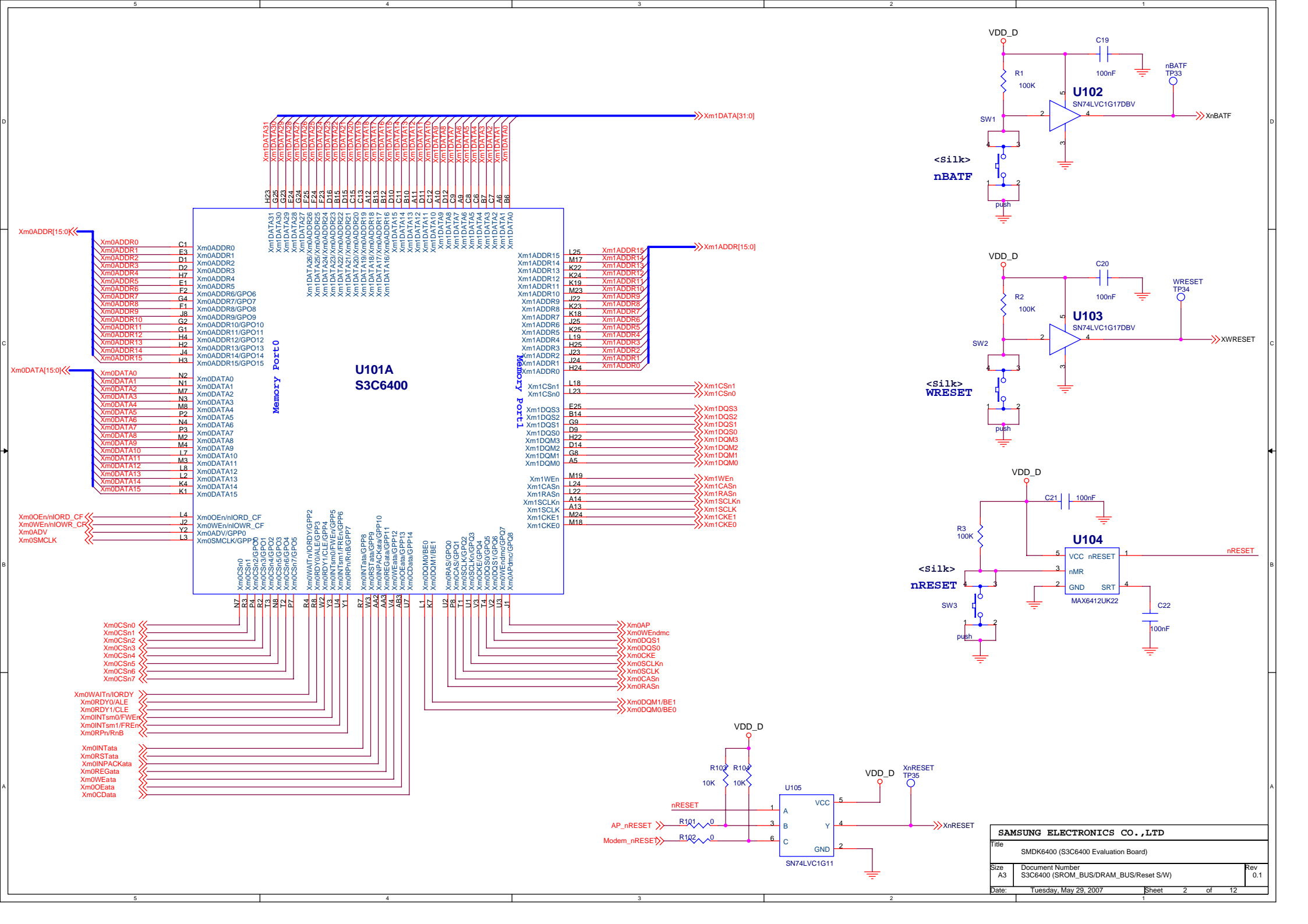
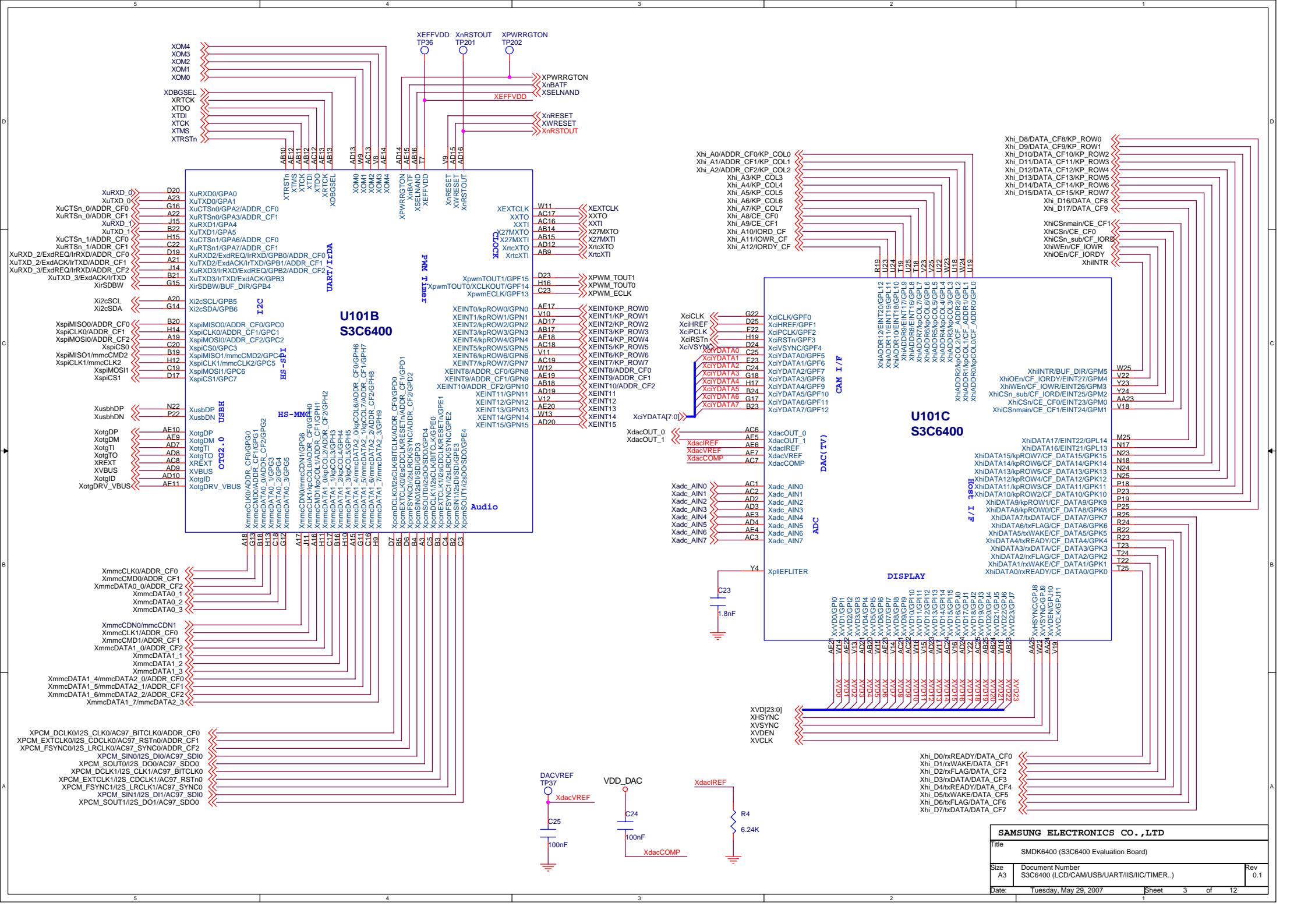


SMDK6400 Evaluation Board for S3C6400

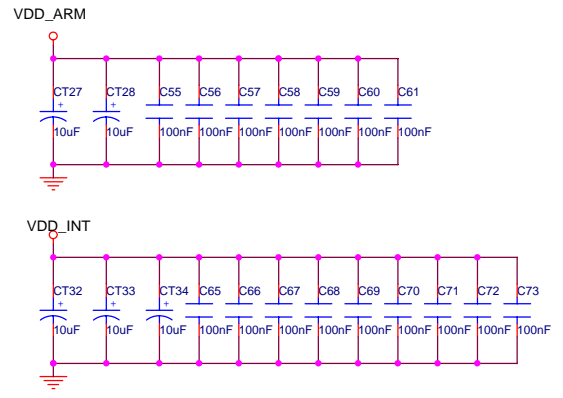
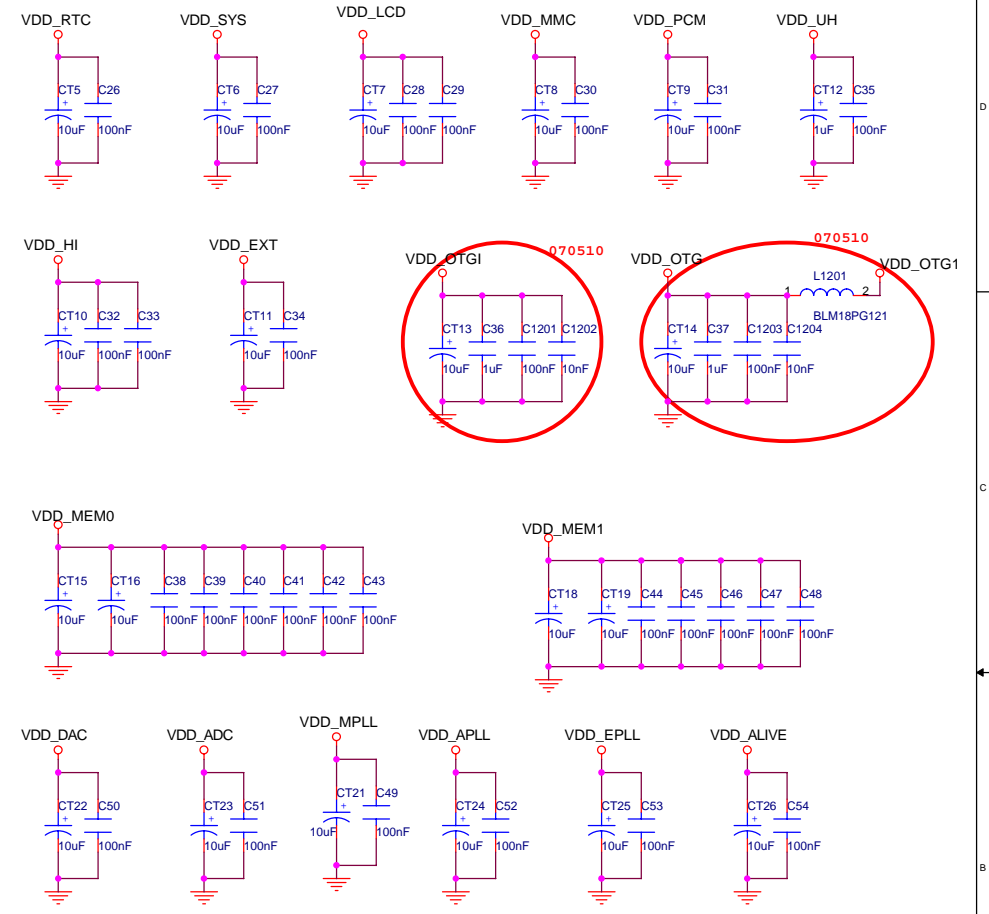
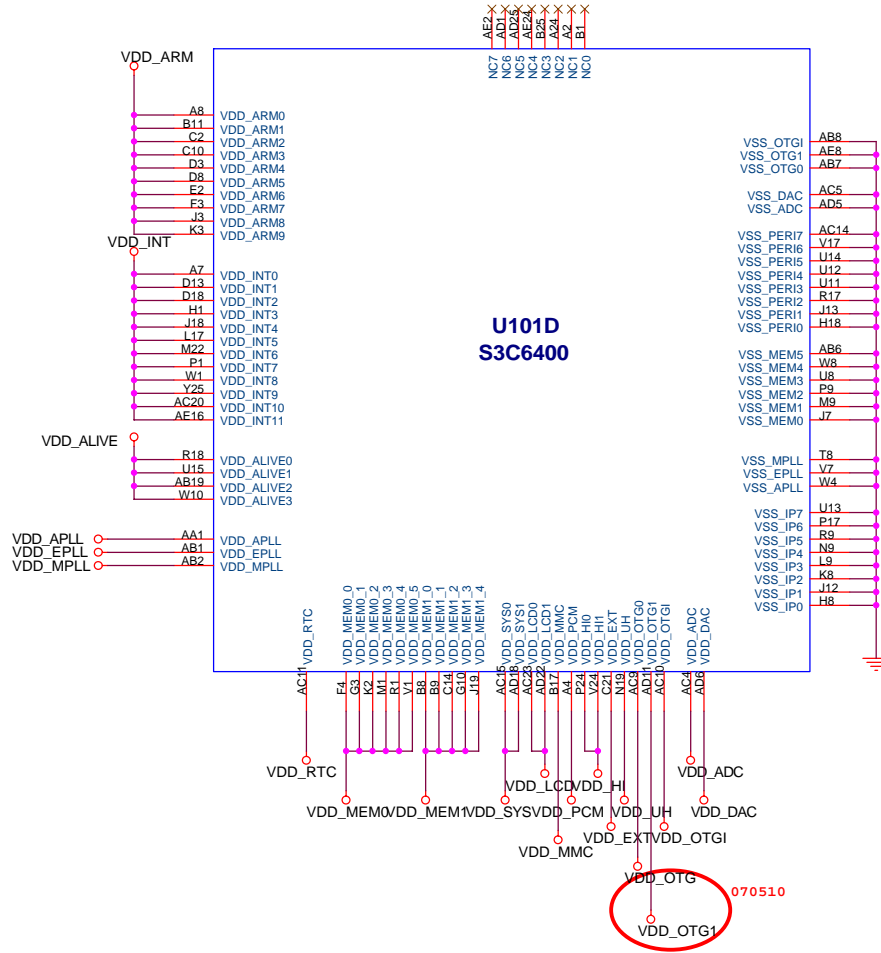
1. PCB Revision	Date	Description
Rev 0.0	2006. 12. 12	Preliminary Version
Rev 0.1	2007. 05. 10	Release Version

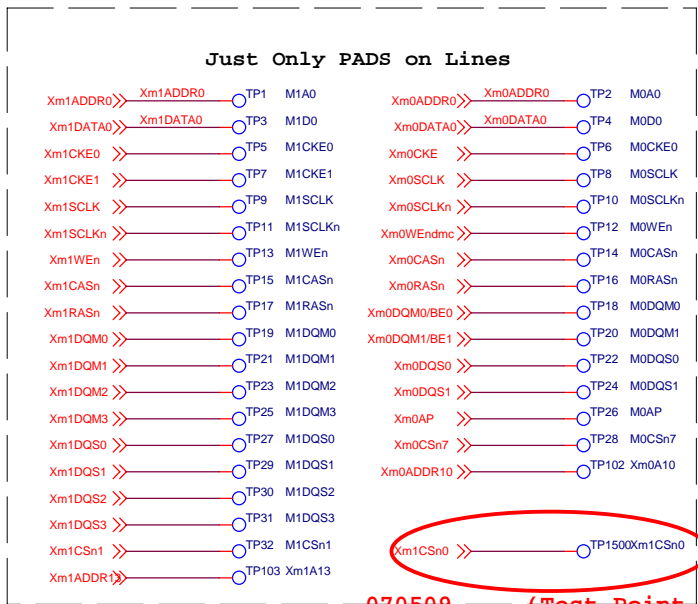
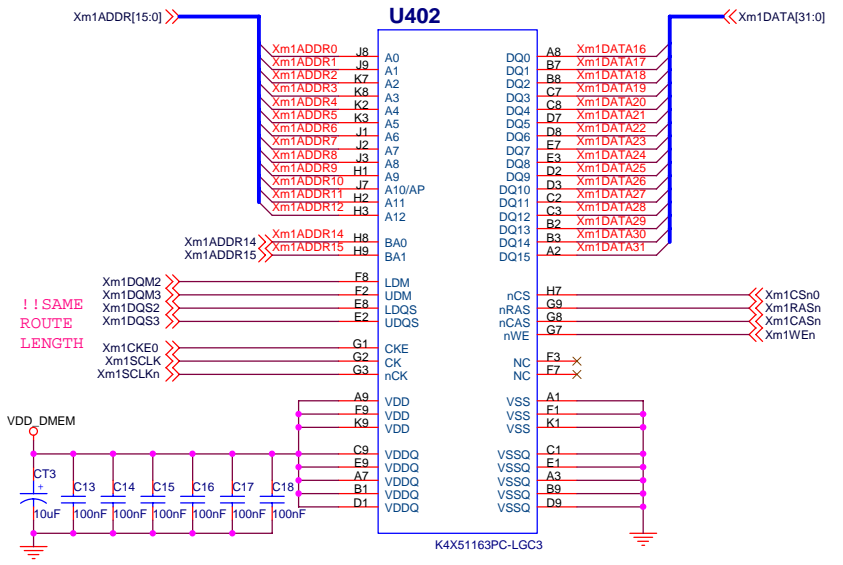
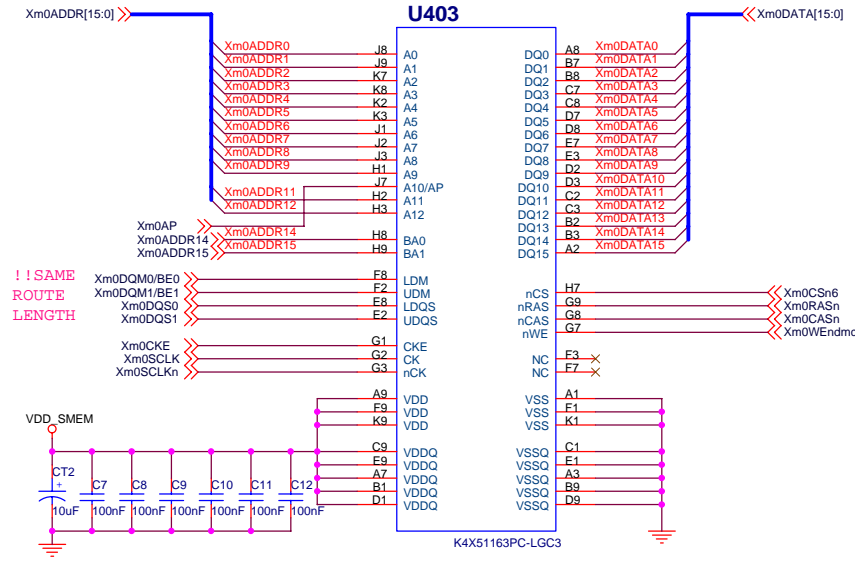
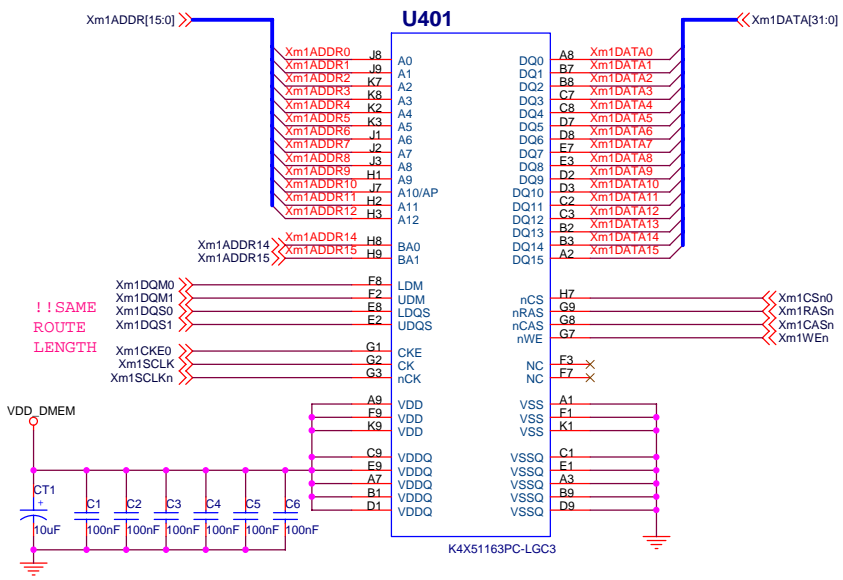
2. Table of Contents	3. Part Reference																																																							
<p>CPU Board</p> <table style="width: 100%; border-collapse: collapse;"> <thead> <tr> <th style="text-align: left;">Page</th> <th style="text-align: left;">Function</th> </tr> </thead> <tbody> <tr><td>01</td><td>S3C6400(Addr/Data)</td></tr> <tr><td>02</td><td>S3C6400(Functional I/O)</td></tr> <tr><td>03</td><td>S3C6400(Power)</td></tr> <tr><td>04</td><td>Memory Port (mDDR)</td></tr> <tr><td>05</td><td>Memory(OneNand)/JTAG/CLK</td></tr> <tr><td>06</td><td>Buffers(SROM I/F)</td></tr> <tr><td>07</td><td>USB/USB OTG/MIPI</td></tr> <tr><td>08</td><td>HS_MMC/HS_SPI</td></tr> <tr><td>09</td><td>CPU B/D Power1(ARM, INT)</td></tr> <tr><td>0A</td><td>CPU B/D Power2(Alive, I/O)</td></tr> <tr><td>0B</td><td>Board to Board Connector (CPU)</td></tr> </tbody> </table> <p>Base Board</p> <table style="width: 100%; border-collapse: collapse;"> <tbody> <tr><td>00</td><td>Board to Board Connector (Base)</td></tr> <tr><td>01</td><td>NOR/SRAM/NAND/Config</td></tr> <tr><td>02</td><td>CF+</td></tr> <tr><td>03</td><td>CF+/Ext. Bus/Modem I/F</td></tr> <tr><td>04</td><td>Ethernet Controller</td></tr> <tr><td>05</td><td>LCD:RGB 24bpp_320X240</td></tr> <tr><td>06</td><td>LCD:RGB CPU18bpp_RGB666_240x320</td></tr> <tr><td>07</td><td>LCD:4.8inch/Ext.</td></tr> <tr><td>08</td><td>Camera IF/I2C</td></tr> <tr><td>09</td><td>Audio(AC97/PCM)</td></tr> <tr><td>0A</td><td>Audio(IIS)</td></tr> <tr><td>0B</td><td>UART/IrDA/SPI</td></tr> <tr><td>0C</td><td>Keypad</td></tr> <tr><td>0D</td><td>HSMMC/TV</td></tr> <tr><td>0E</td><td>Base B'd Power</td></tr> </tbody> </table>	Page	Function	01	S3C6400(Addr/Data)	02	S3C6400(Functional I/O)	03	S3C6400(Power)	04	Memory Port (mDDR)	05	Memory(OneNand)/JTAG/CLK	06	Buffers(SROM I/F)	07	USB/USB OTG/MIPI	08	HS_MMC/HS_SPI	09	CPU B/D Power1(ARM, INT)	0A	CPU B/D Power2(Alive, I/O)	0B	Board to Board Connector (CPU)	00	Board to Board Connector (Base)	01	NOR/SRAM/NAND/Config	02	CF+	03	CF+/Ext. Bus/Modem I/F	04	Ethernet Controller	05	LCD:RGB 24bpp_320X240	06	LCD:RGB CPU18bpp_RGB666_240x320	07	LCD:4.8inch/Ext.	08	Camera IF/I2C	09	Audio(AC97/PCM)	0A	Audio(IIS)	0B	UART/IrDA/SPI	0C	Keypad	0D	HSMMC/TV	0E	Base B'd Power	<p><Component><Number></p> <p>U - COMPONENT IC & REGURATOR IC</p> <p>C - CAPACITOR</p> <p>CT- TANTAL CAPACITOR</p> <p>R - RESISTER</p> <p>RP - RESISTOR PACK</p> <p>VR - VARIABLE RESISTER</p> <p>J - JUMPER</p> <p>L - INDUCTOR</p> <p>F - FERRITE BEAD</p> <p>Y - OSCILLATOR</p> <p>X - CRYSTAL</p> <p>Q - TRANSISTOR/FET</p> <p>D - DIODE</p> <p>SW - TACT/PUSH SWITCH</p> <p>CON - CONNECTOR</p> <p>CFG - DIP SWITCH</p>	
Page	Function																																																							
01	S3C6400(Addr/Data)																																																							
02	S3C6400(Functional I/O)																																																							
03	S3C6400(Power)																																																							
04	Memory Port (mDDR)																																																							
05	Memory(OneNand)/JTAG/CLK																																																							
06	Buffers(SROM I/F)																																																							
07	USB/USB OTG/MIPI																																																							
08	HS_MMC/HS_SPI																																																							
09	CPU B/D Power1(ARM, INT)																																																							
0A	CPU B/D Power2(Alive, I/O)																																																							
0B	Board to Board Connector (CPU)																																																							
00	Board to Board Connector (Base)																																																							
01	NOR/SRAM/NAND/Config																																																							
02	CF+																																																							
03	CF+/Ext. Bus/Modem I/F																																																							
04	Ethernet Controller																																																							
05	LCD:RGB 24bpp_320X240																																																							
06	LCD:RGB CPU18bpp_RGB666_240x320																																																							
07	LCD:4.8inch/Ext.																																																							
08	Camera IF/I2C																																																							
09	Audio(AC97/PCM)																																																							
0A	Audio(IIS)																																																							
0B	UART/IrDA/SPI																																																							
0C	Keypad																																																							
0D	HSMMC/TV																																																							
0E	Base B'd Power																																																							



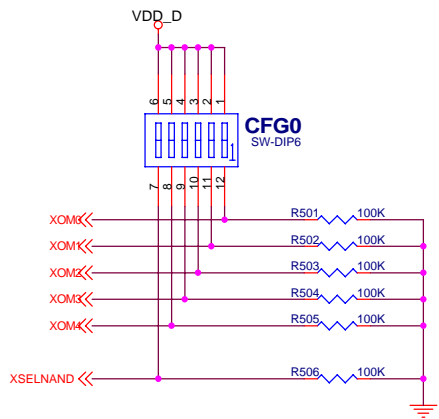


SAMSUNG ELECTRONICS CO.,LTD			
Title			
SMD6400 (S3C6400 Evaluation Board)			
Size	Document Number	Rev	
A3	S3C6400 (LCD/CAM/USB/UART/II/IIC/TIMER..)	0.1	
Date:	Tuesday, May 29, 2007	Sheet	3 of 12

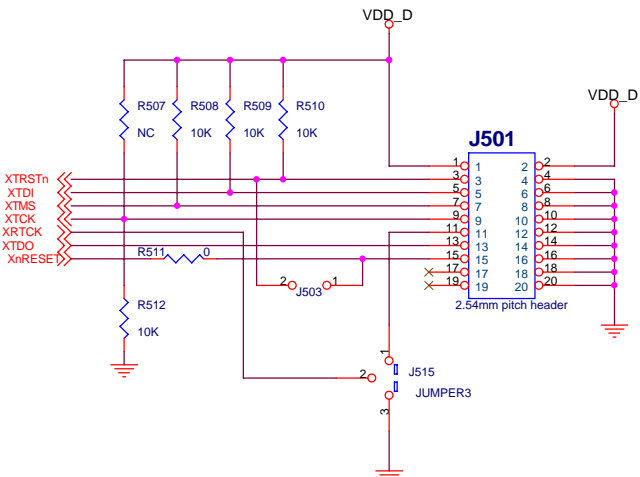
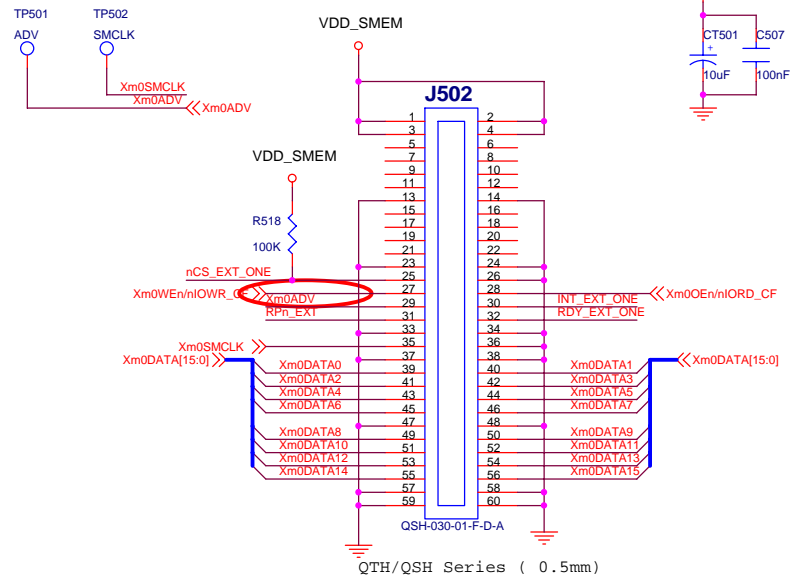




070509 가) (Test Point



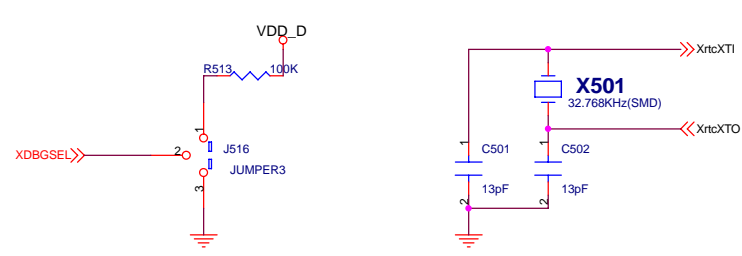
CFG0						
Booting Mode	[6]	[5]	[4]	[3]	[2]	[1]
NAND, 512/3 cycle	1	0	0	0	0	
NAND, 512/4 cycle	1	0	0	0	1	
ANAND, 2K/4 cycle	1	0	0	1	0	ON
ANAND, 2K/5 cycle	1	0	0	1	1	EXTCLK
NOR/SROM	x	0	1	0	0	0:8bit 1:16bit
OneNAND	0	0	1	1	0	OFF :XTI
Modem	x	0	1	1	1	
Internal ROM	x	1	1	1	1	



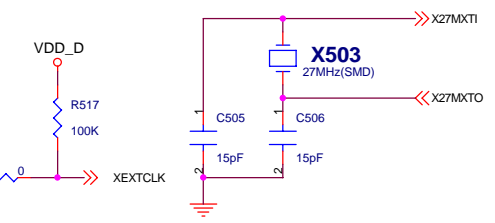
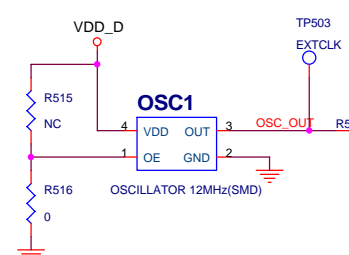
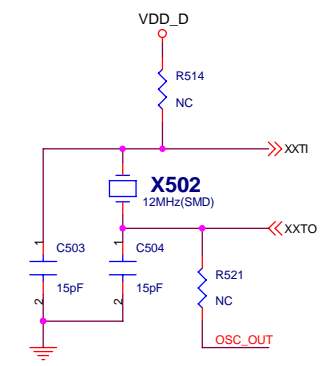
070509

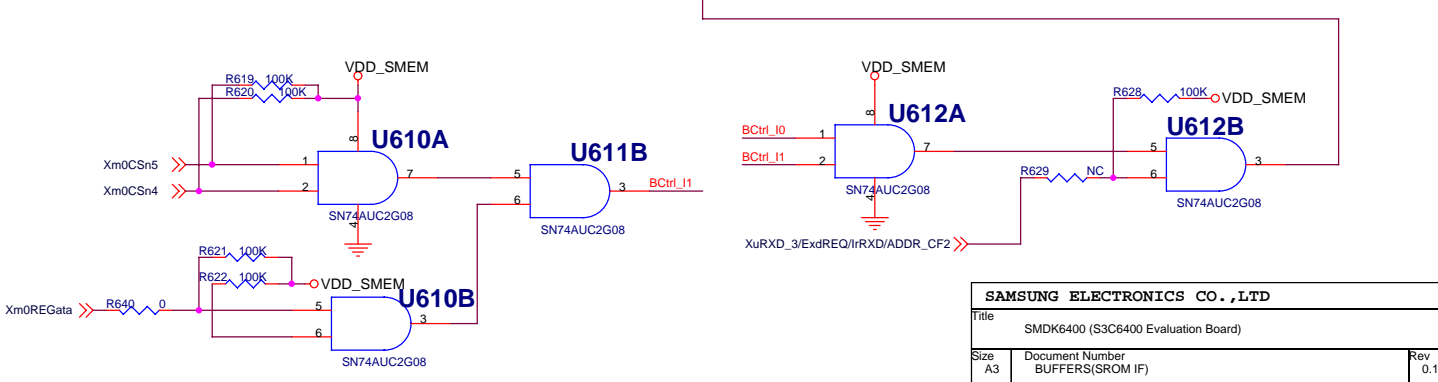
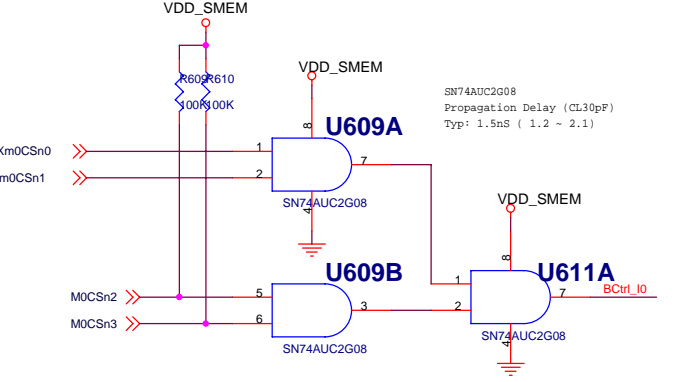
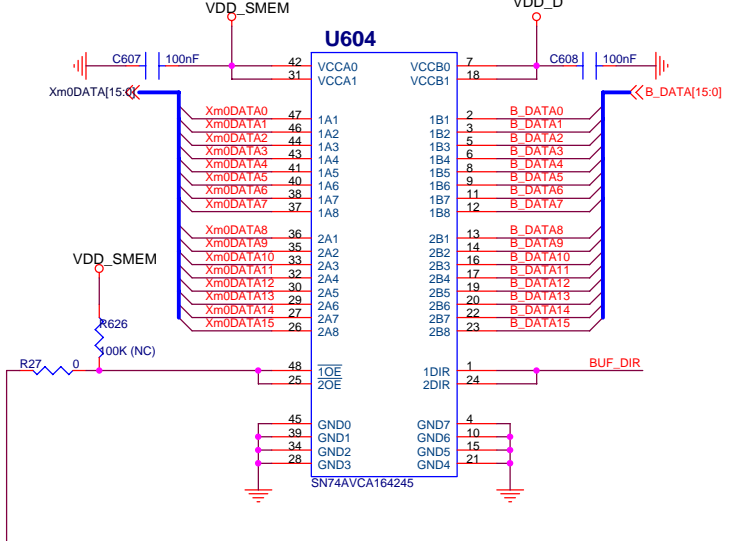
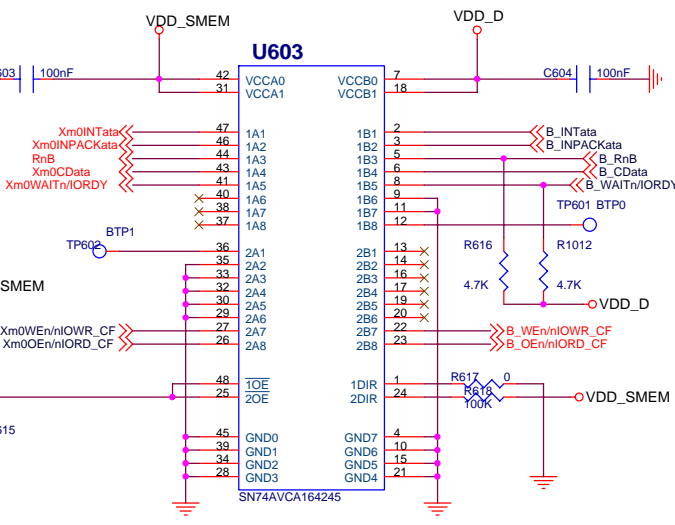
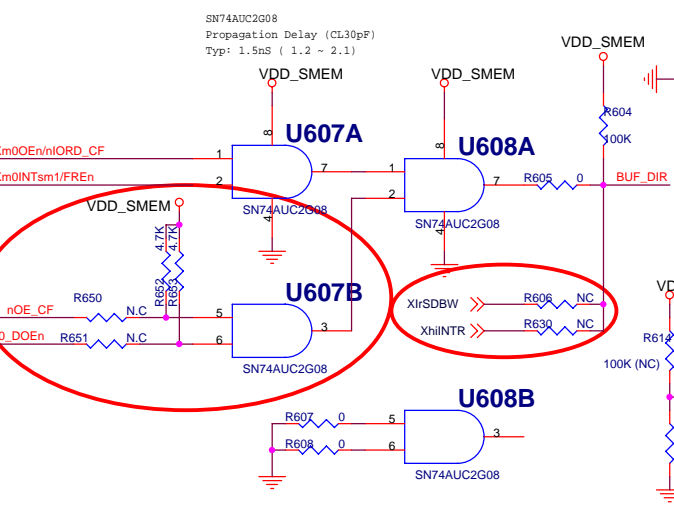
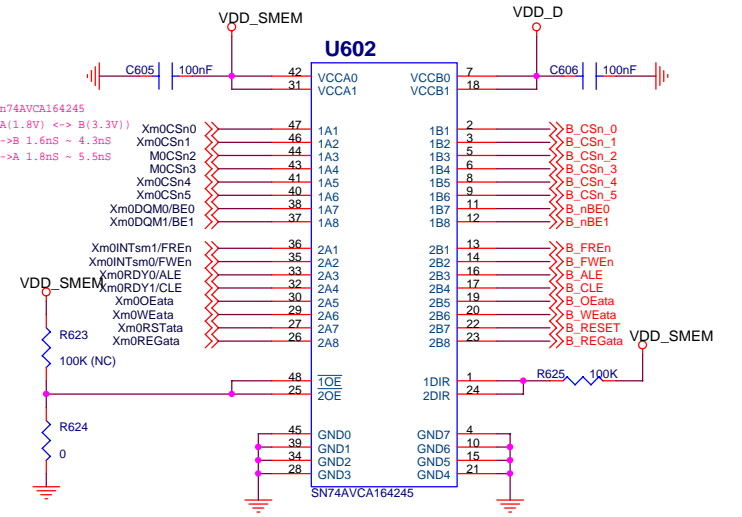
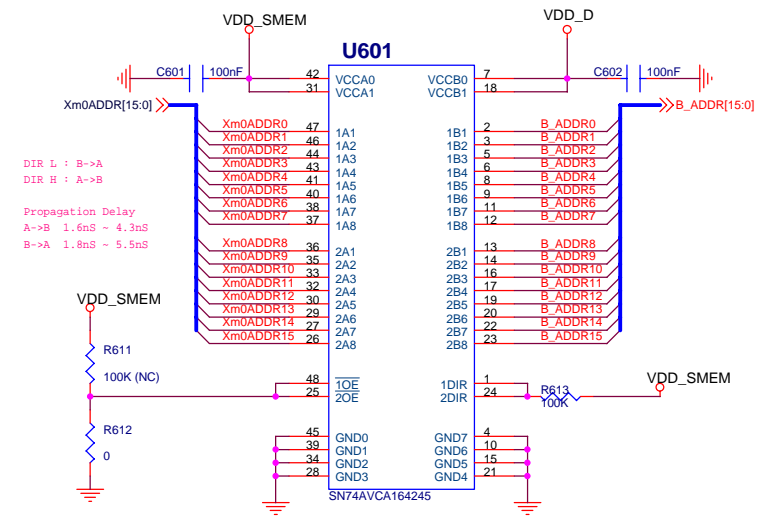
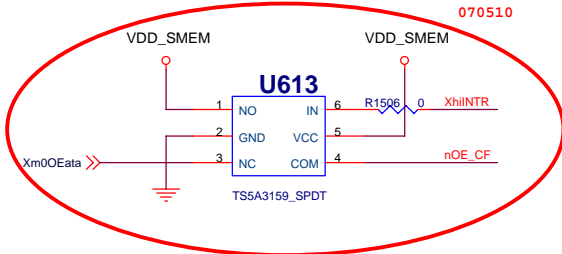
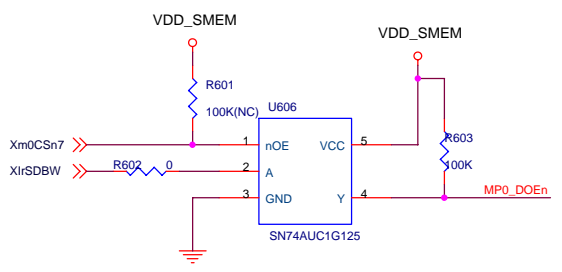
1) OneNAND&NAND => DIP Switch
2) OneNAND0 Default

CFG2	NAND/ ONENAND
[1, 2]: ON	NAND (CS 2)
[3, 4]: OFF	NANDC (CS 2)
[1, 2]: OFF	OneNANDC (CS 2)
[3, 4]: ON	OneNANDC (CS 2)

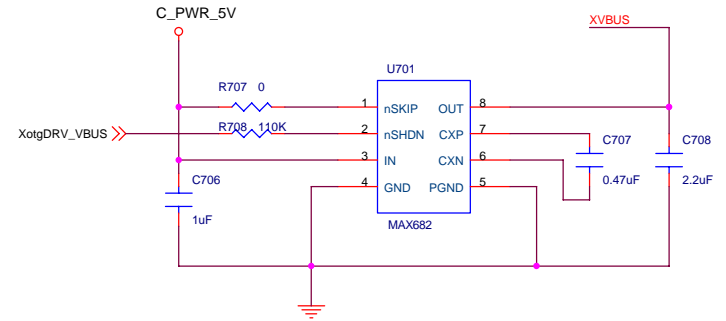
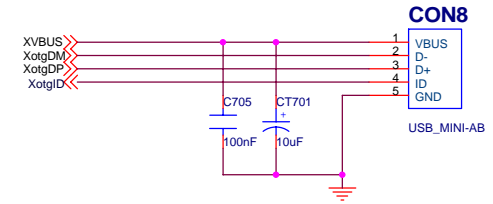
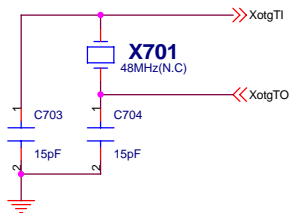
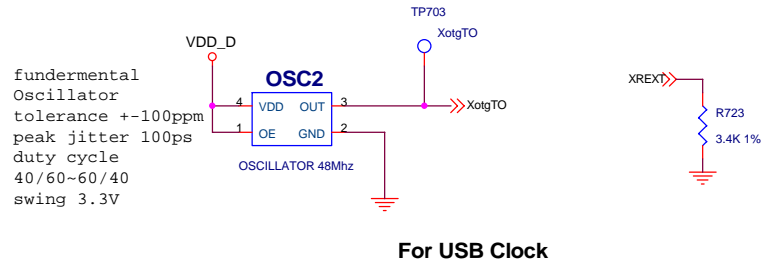
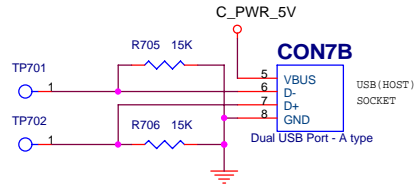
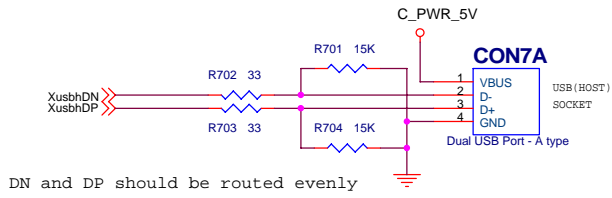


Clocks



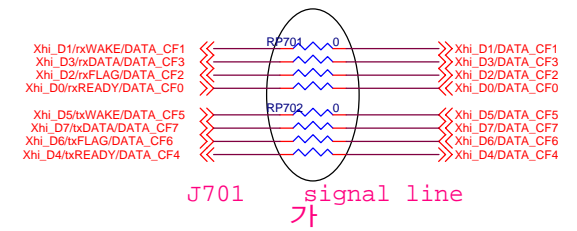
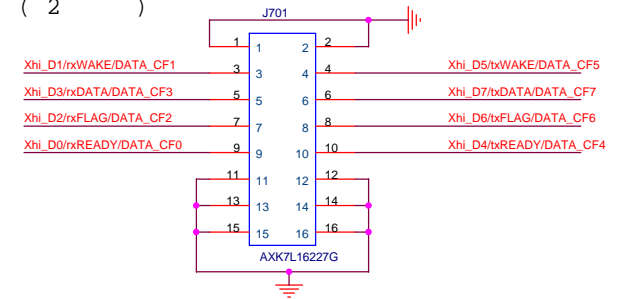


SAMSUNG ELECTRONICS CO.,LTD		
Title SMDK6400 (S3C6400 Evaluation Board)		
Size A3	Document Number BUFFERS(SROM IF)	Rev 0.1
Date: Tuesday, May 29, 2007	Sheet 7	of 12

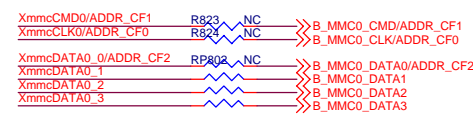
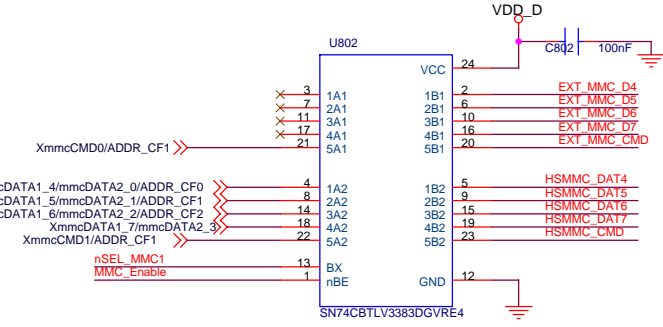
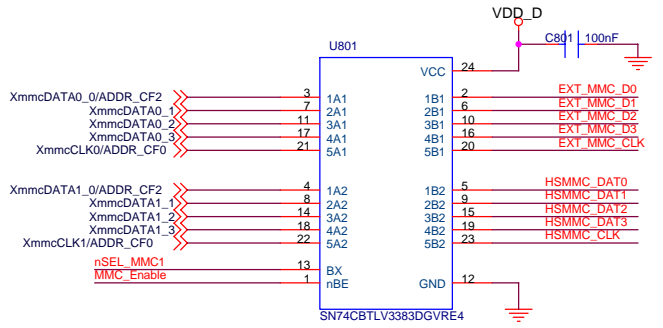


FPC Cable

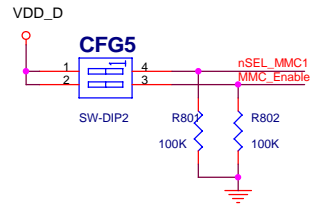
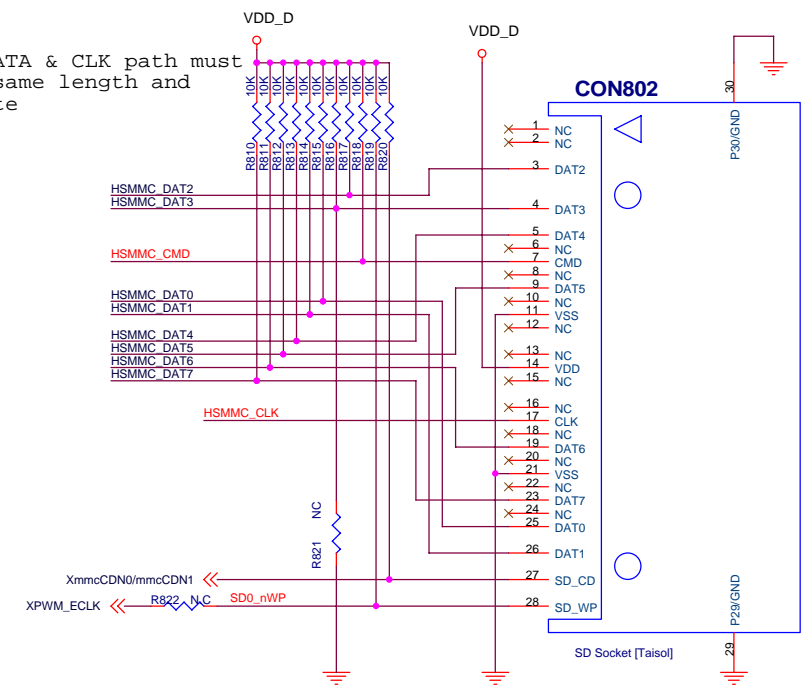
(2)



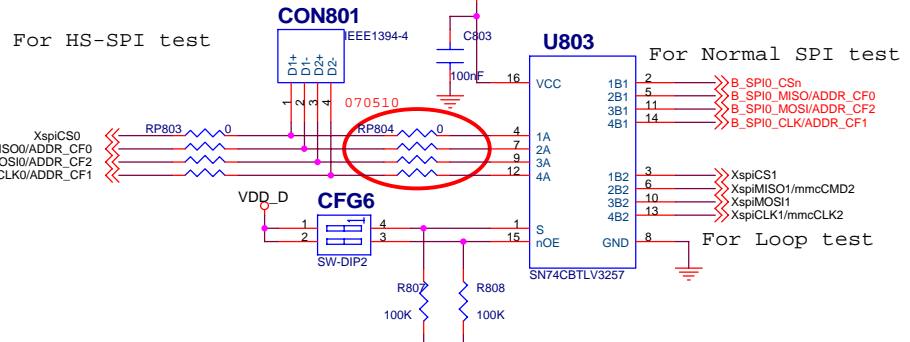
SAMSUNG ELECTRONICS CO.,LTD		
Title SMDK6400 (S3C6400 Evaluation Board)		
Size A3	Document Number USB/USB OTG/MIP1	Rev 0.1
Date: Tuesday, May 29, 2007	Sheet 8	of 12



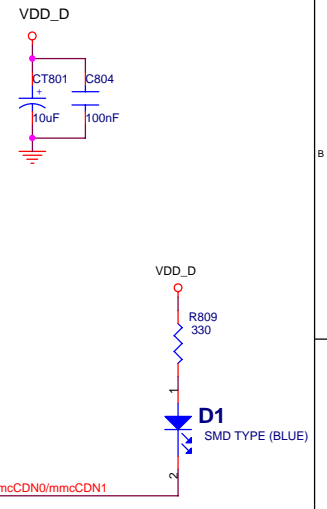
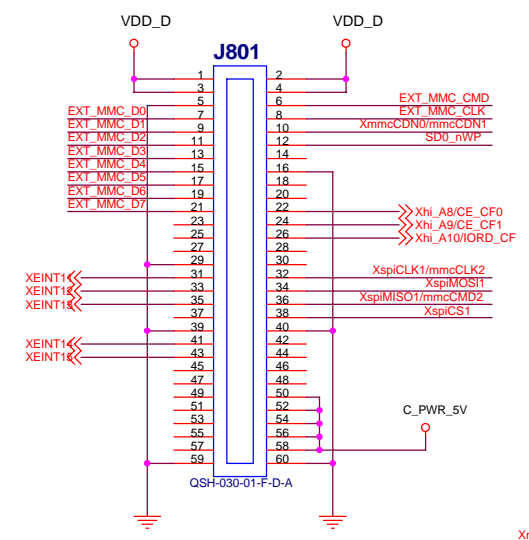
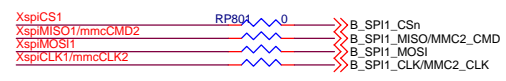
SDDATA & CLK path must be same length and route

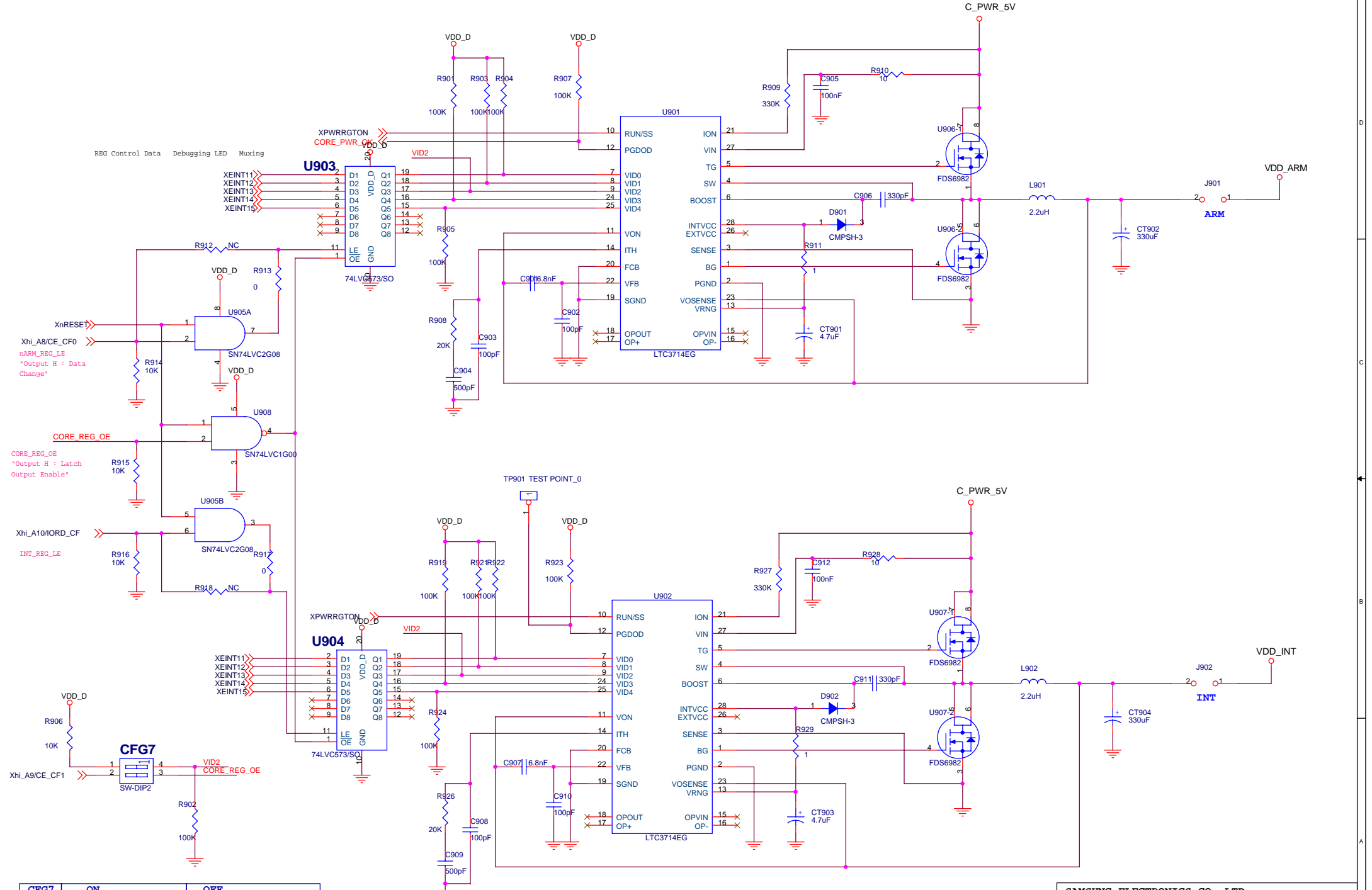


CFG5	OFF	ON
[1]	MMC1-Socket	MMC0-Socket
[2]	MMC Enable	MMC Disable

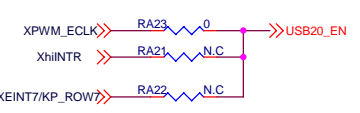
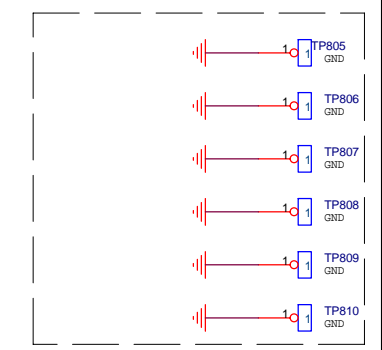
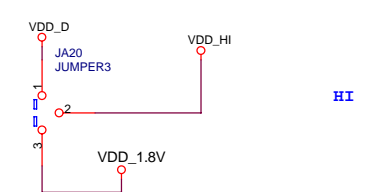
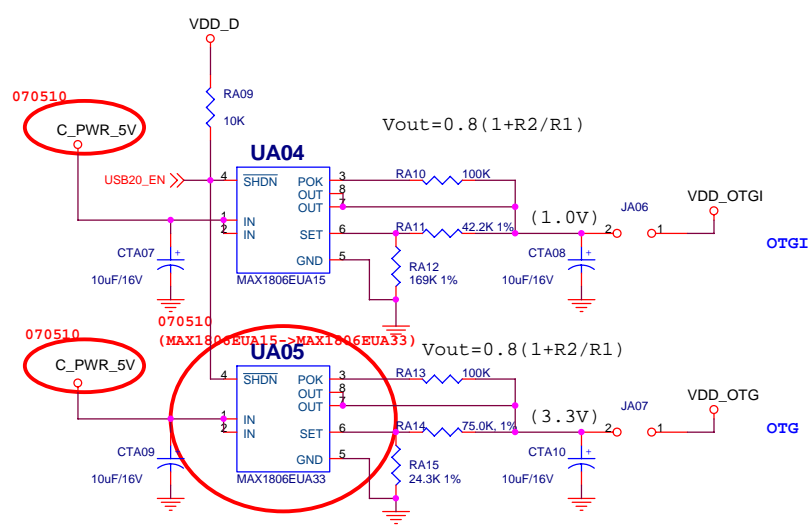
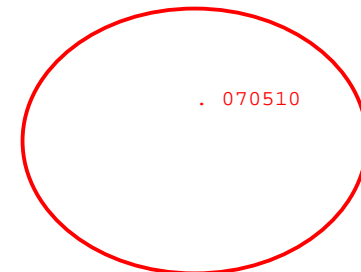
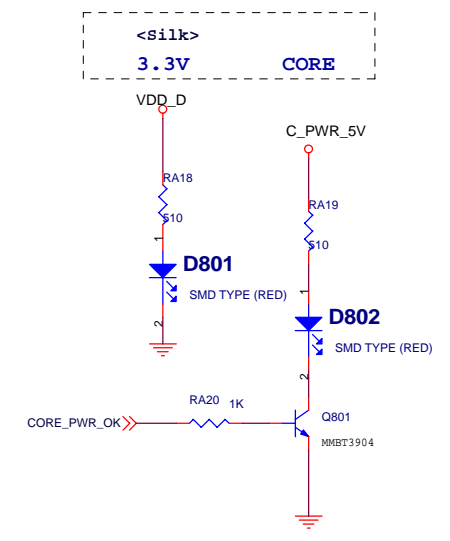
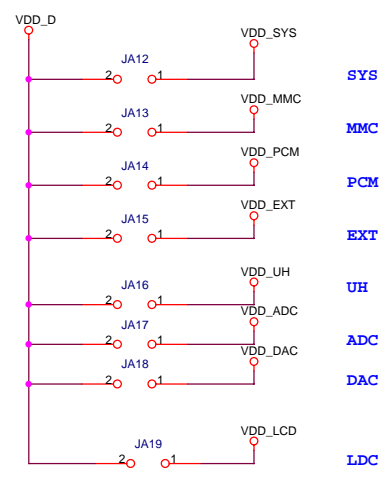
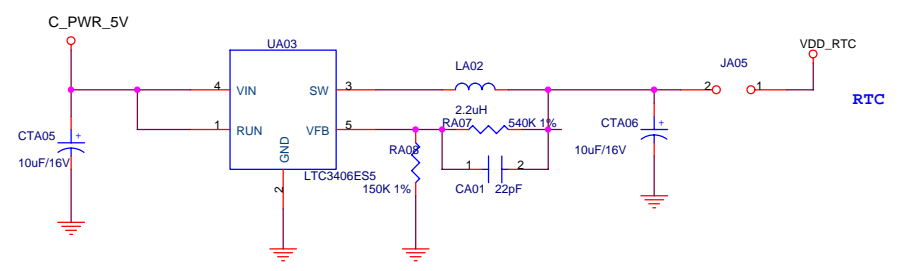
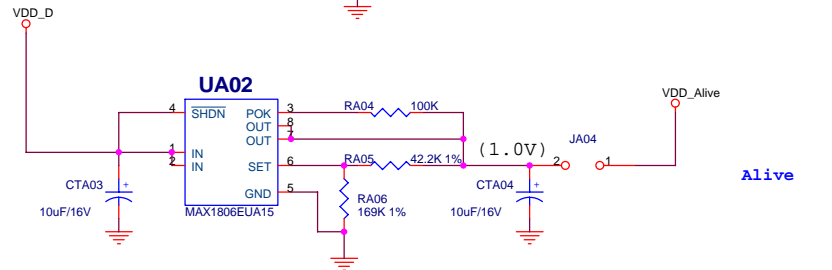
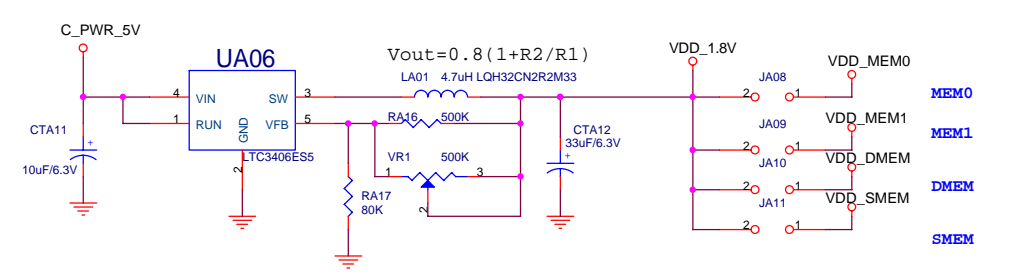
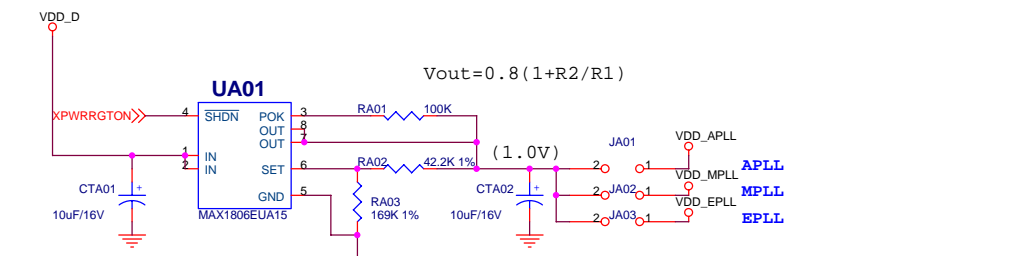


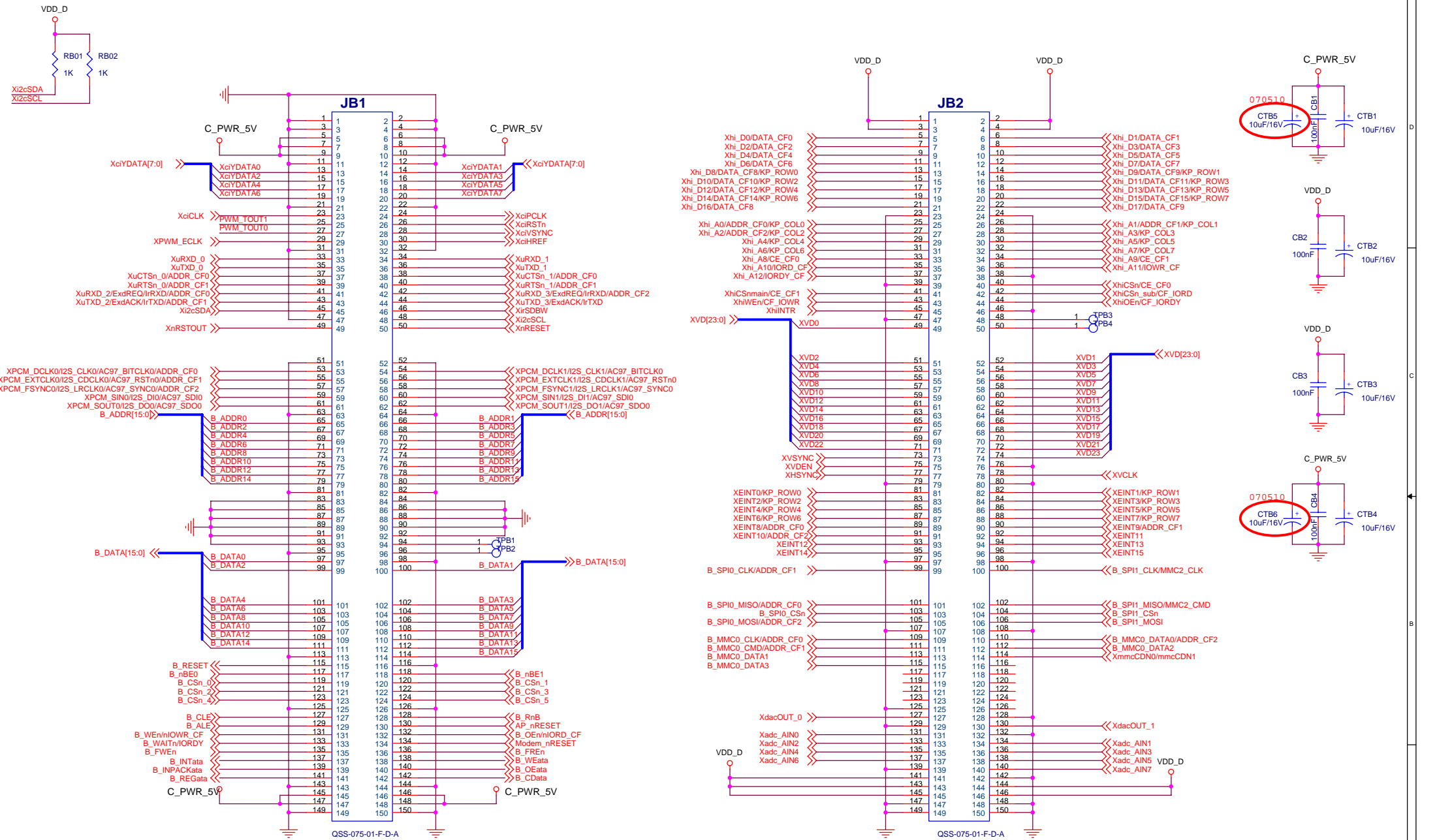
CFG6	ON	OFF
[2]	HS_SPI	G_SPI
[1]		ON OFF
	LOOP 0-1	SPI ch0





CFG7	ON	OFF
[1]	1.0V	1.2V
[2]	PWRControl Enable	PWRControl Disable





Title		
SMDK6400 (S3C6400 Evaluation Board)		
Size	Document Number	Rev
A3	B-to-B Connector	0.1
Date:	Tuesday, May 29, 2007	Sheet 12 of 12