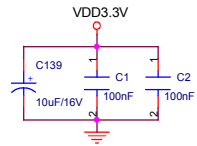
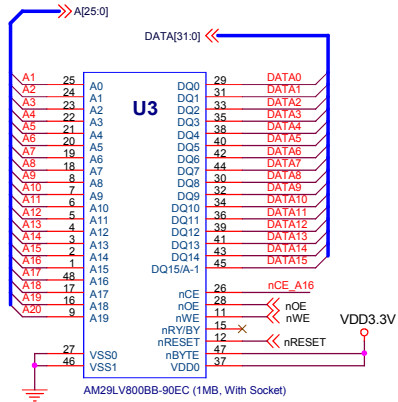
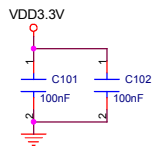
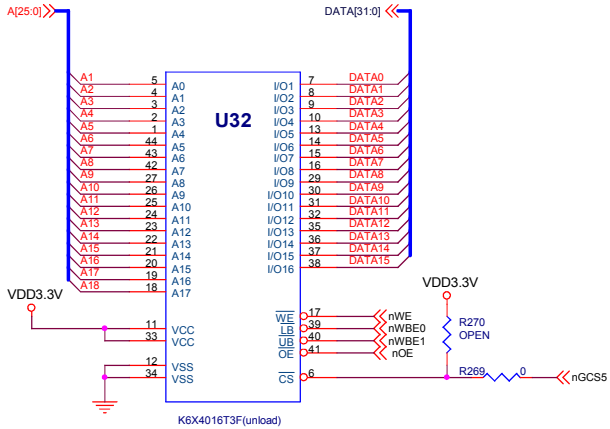
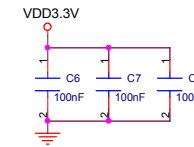
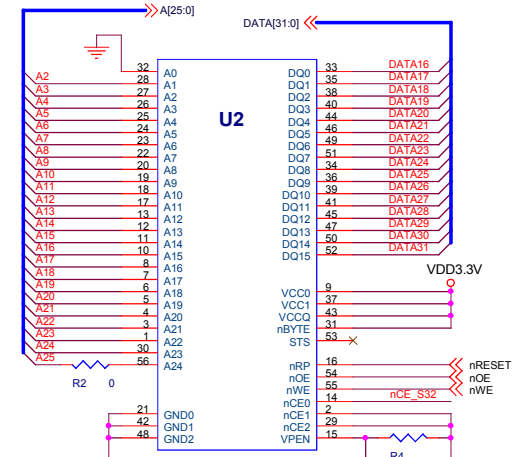
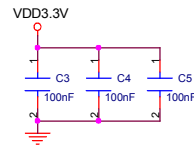
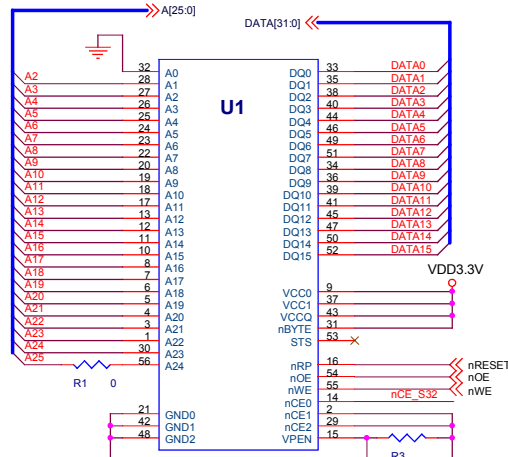


**AMD Flash
Memory (SOCKET)**

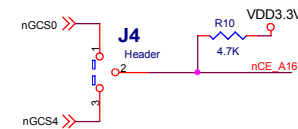
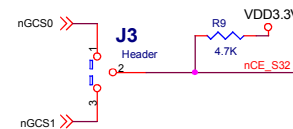
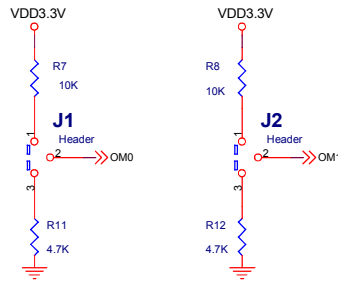


**INTEL StrataFlash
Memory (SMD Unload)**



**"Silk"
Boot setting**

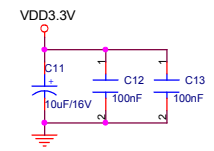
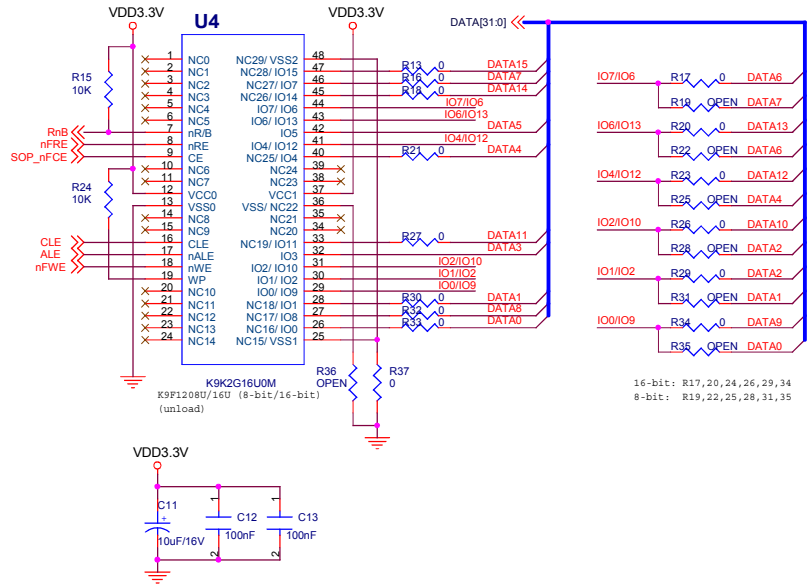
	AMD (D)	INTEL	NAND	Test mode
OM0 (J1)	1-2	2-3	2-3	1-2
OM1 (J2)	2-3	1-2	2-3	1-2
32bit (J3)	2-3	1-2	2-3	-
16bit (J4)	1-2	2-3	2-3	-



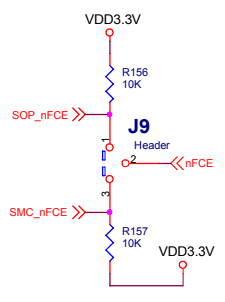
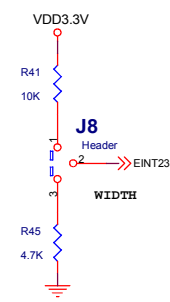
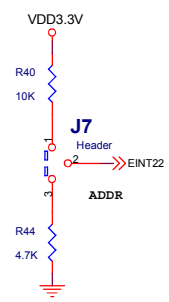
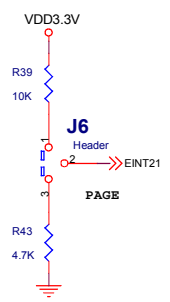
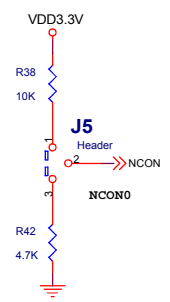
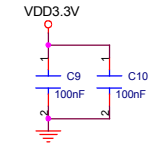
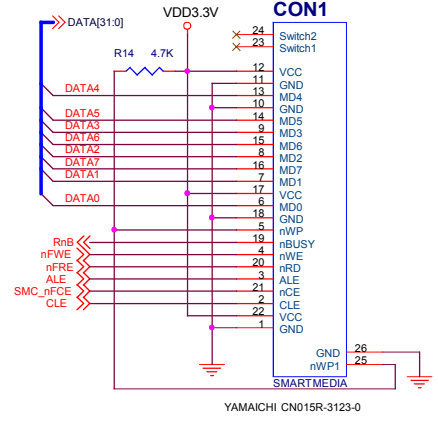
SAMSUNG ELECTRONICS CO., LTD

Title		
SMDK2440 (S3C2440 Evaluation Board)		
Size	Document Number	Rev
A3	AMD & INTEL(NOR) FLASH MEMORY / SRAM	1.0
Date:	Thursday, January 06, 2005	Sheet 1 of 12

NAND Flash memory



SmartMedia Card (NAND Flash memory)



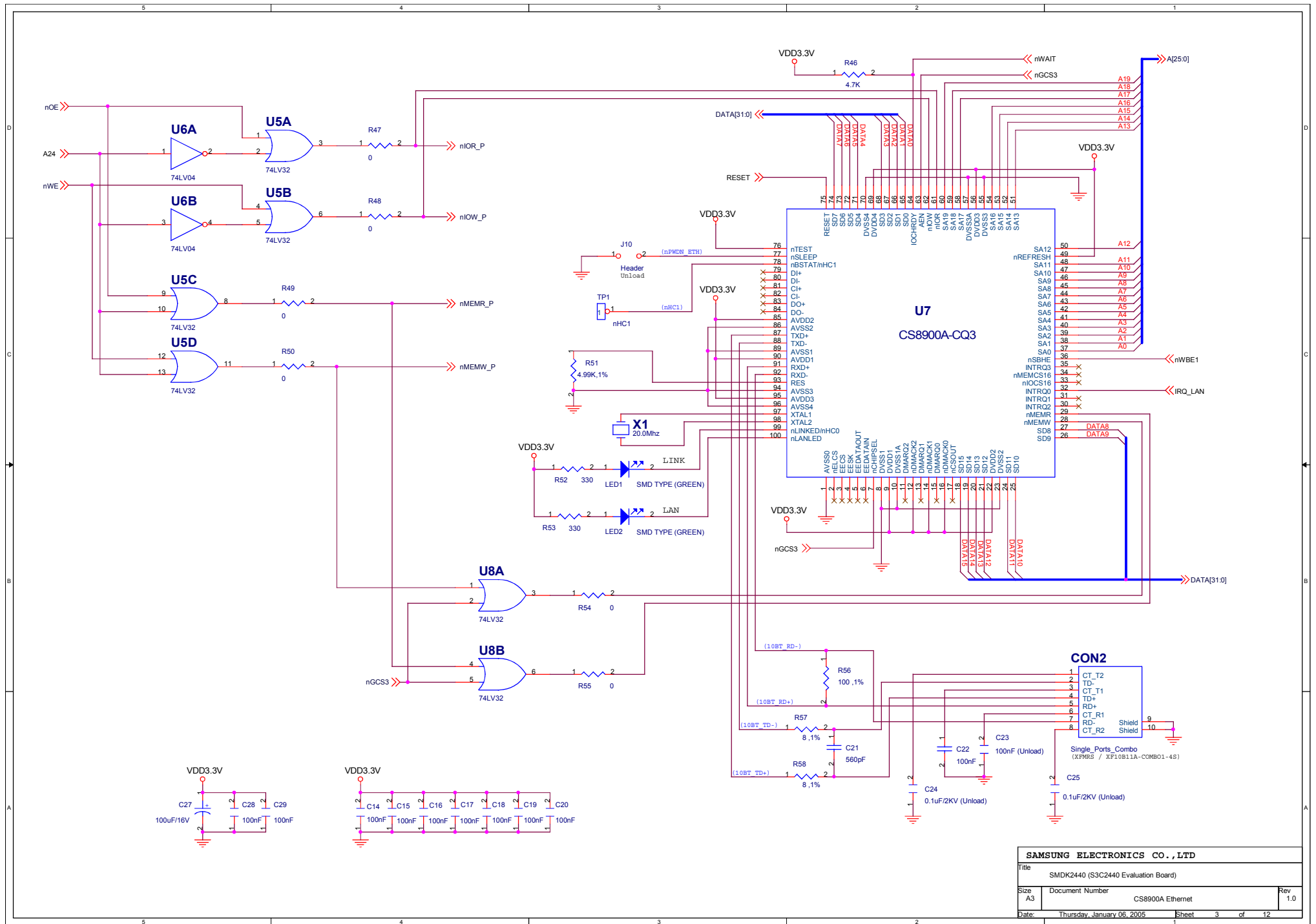
"Silk"

NAND setting

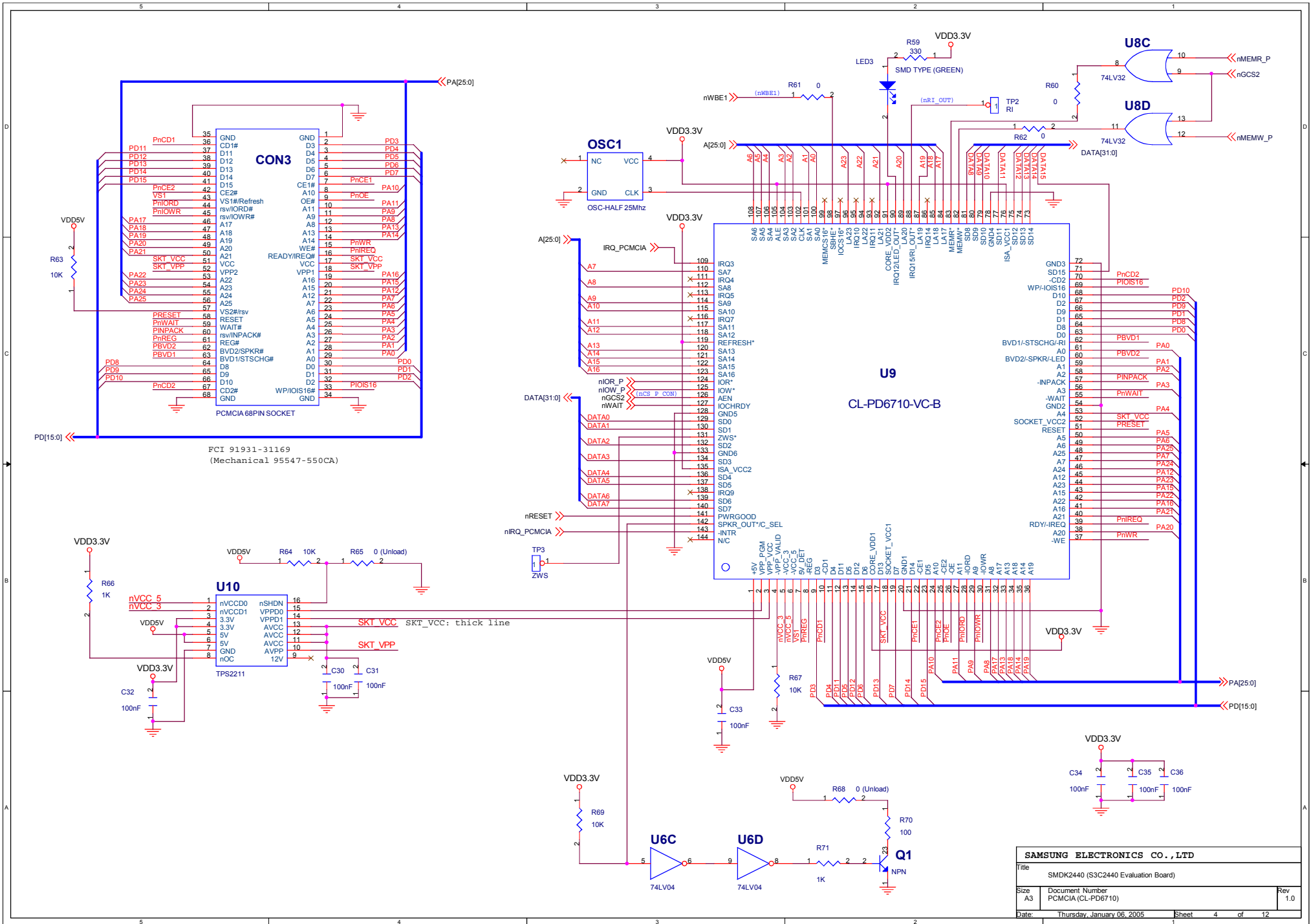
	When OM [1:0]=2-3 (NAND boot)		
	NCON0 (J5)	Normal (2-3) (D)	Advanced (1-2)
PAGE (J6)	2-3	256	1024
ADDR (J7)	1-2	512 (D)	2048
WIDTH (J8)	2-3	3 cycle	4 cycle
NAND (J9)	1-2	4 cycle (D)	5 cycle
		8-bit bus (D)	
		16-bit bus	
		SMC enable (D)	
		SOP enable	

Setting Example

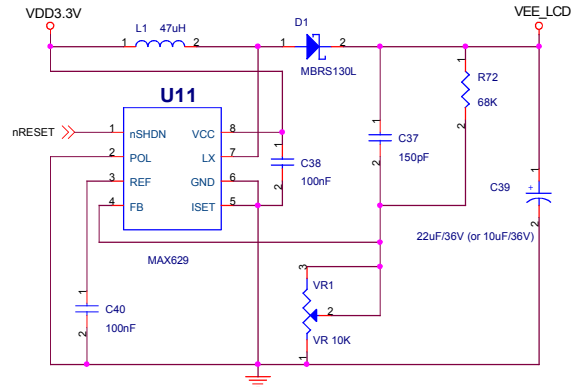
	SMC(K9S1208V0M)	K9K2G16U0M
J5	2-3	1-2
J6	1-2	2-3
J7	1-2	1-2
J8	2-3	1-2
J9	2-3	1-2



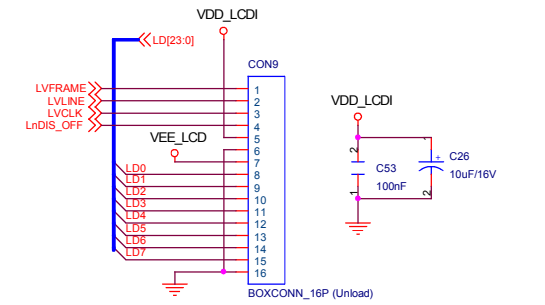
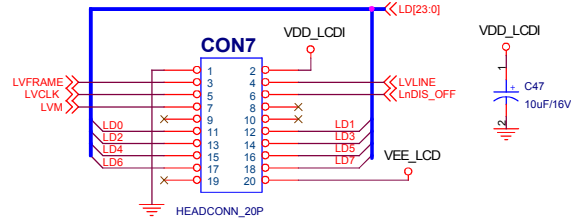
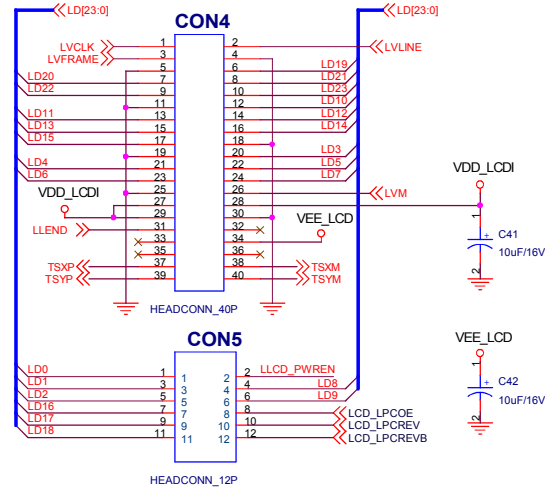
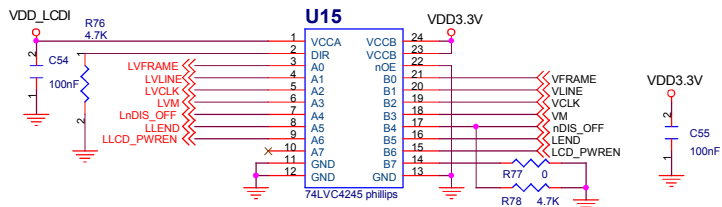
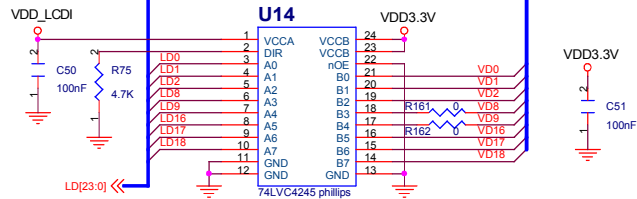
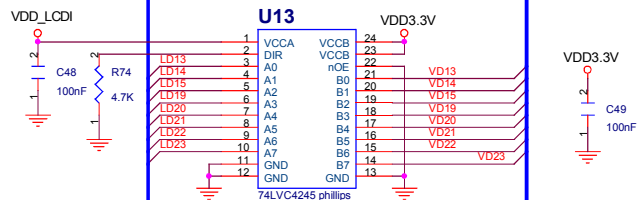
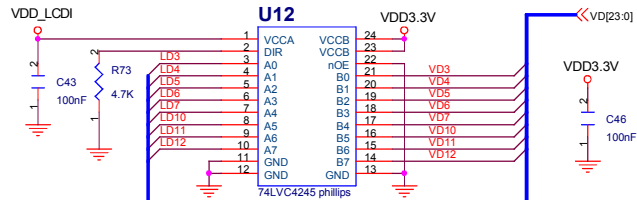
SAMSUNG ELECTRONICS CO., LTD		
Title	SMDK2440 (S3C2440 Evaluation Board)	
Size	Document Number	Rev
A3	CS8900A Ethernet	1.0
Date:	Thursday, January 06, 2005	Sheet 3 of 12



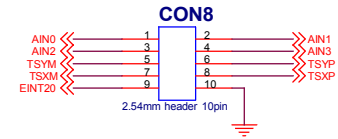
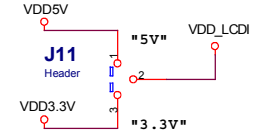
SAMSUNG ELECTRONICS CO., LTD		
Title SMDK2440 (S3C2440 Evaluation Board)		
Size A3	Document Number PCMCIA (CL-PD6710)	Rev 1.0
Date: Thursday, January 06, 2005	Sheet 4	of 12



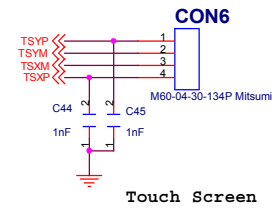
3.3V/24V DC/DC CONVERTER (STN LCD)



film connector for LCBHBT161M
MOLEX 52207-1690

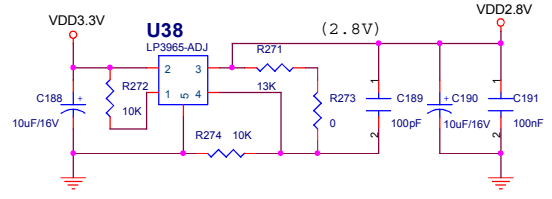
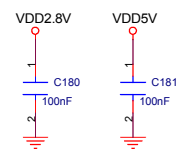
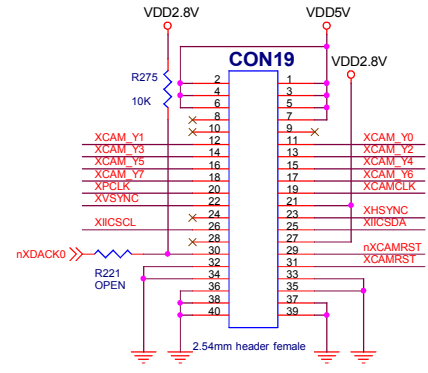
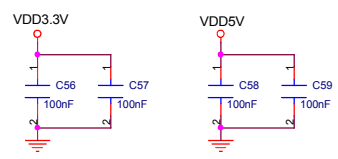
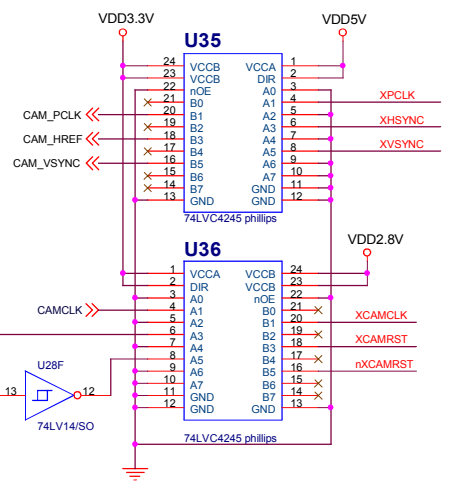
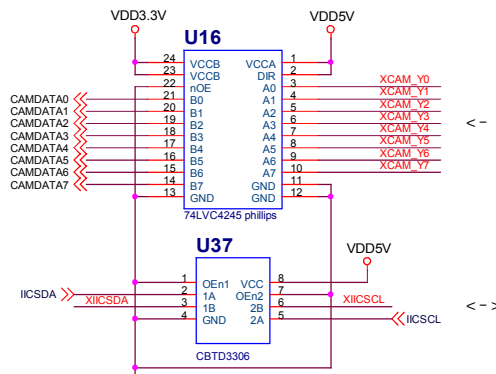


ADC
"1-2 Short Default"

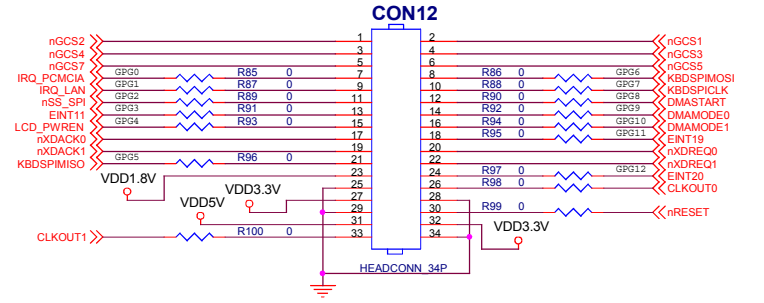
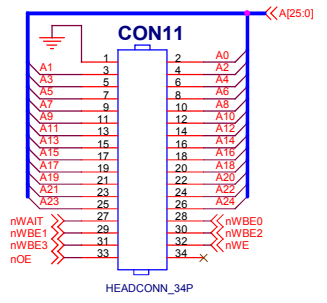
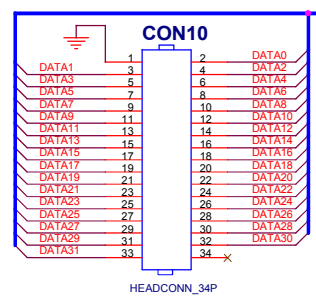
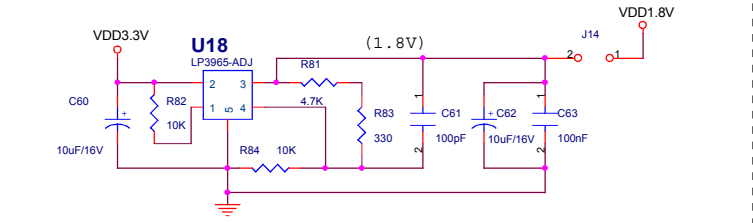


Touch Screen

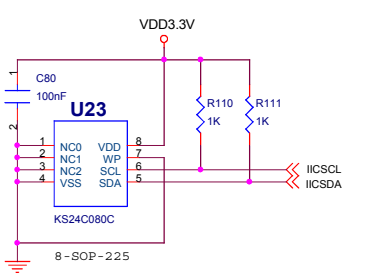
SAMSUNG ELECTRONICS CO.,LTD		
Title	SMDK2440 (S3C2440 Evaluation Board)	
Size	Document Number	Rev
A3	External LCD interface / Touch screen / ADC	1.0
Date:	Thursday, January 06, 2005	Sheet 5 of 12



Camera Interface



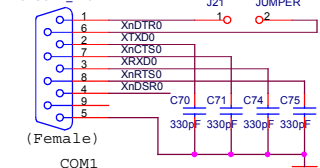
A400/A410 Extension Connector



IIC Interface

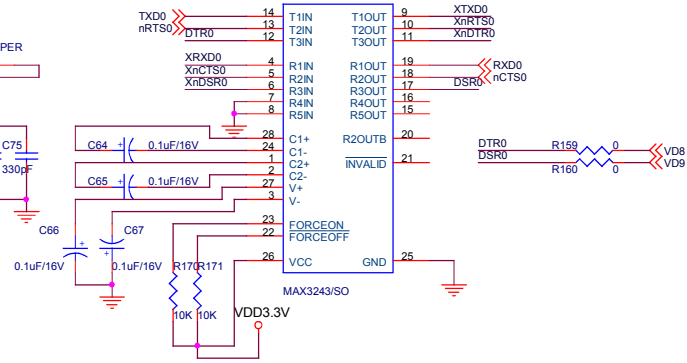
SAMSUNG ELECTRONICS CO., LTD		
Title SMDK2440 (S3C2440 Evaluation Board)		
Size A3	Document Number Camera / Extension Connector / IIC	Rev 1.0
Date: Thursday, January 06, 2005	Sheet 6	of 12

CON14
BOXCONN_DB9

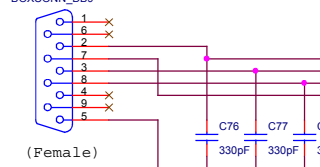


(Female)
COM1

U29

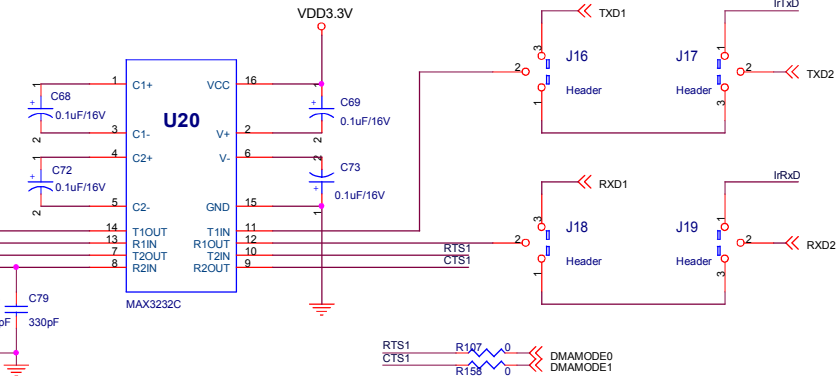


CON22
BOXCONN_DB9

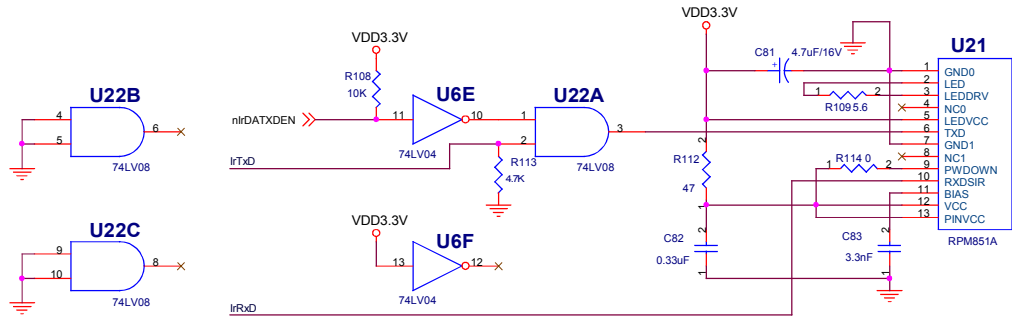


(Female)
COM2

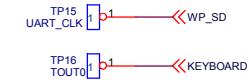
U20



UART Interface



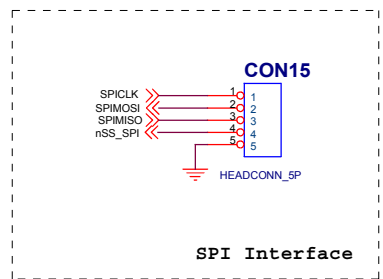
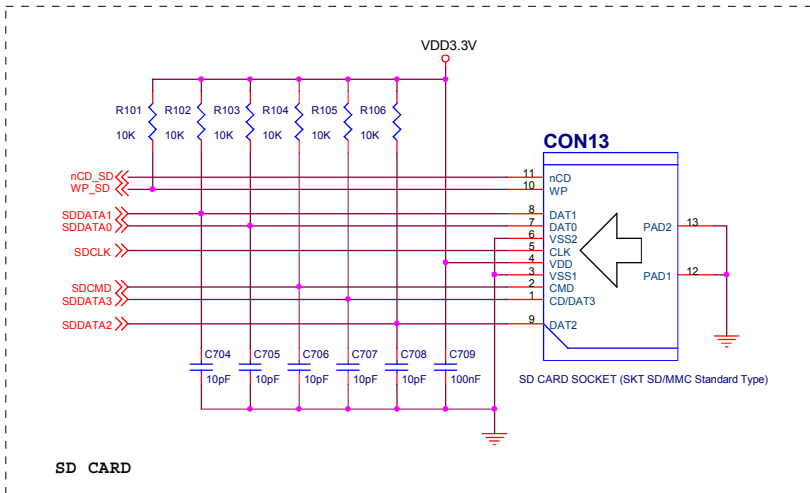
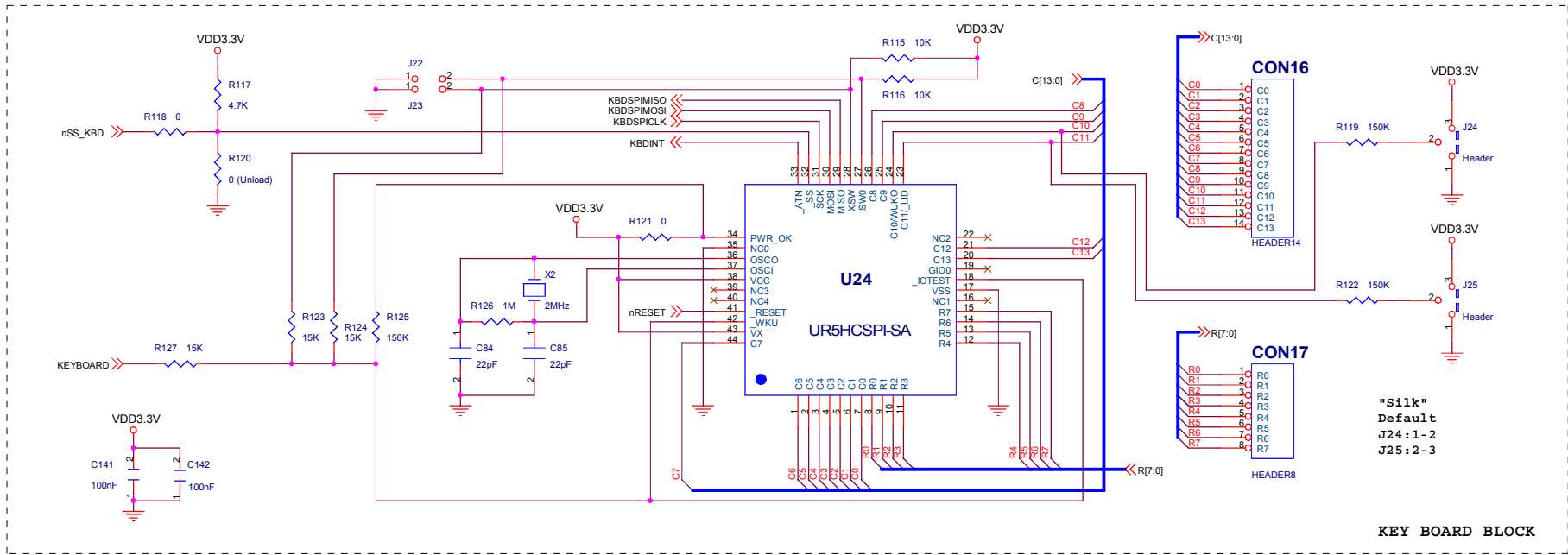
IrDA Interface

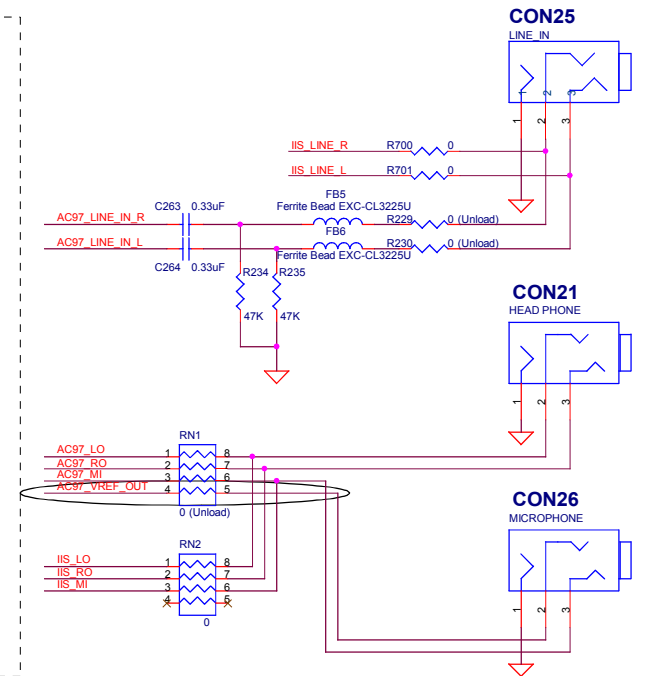
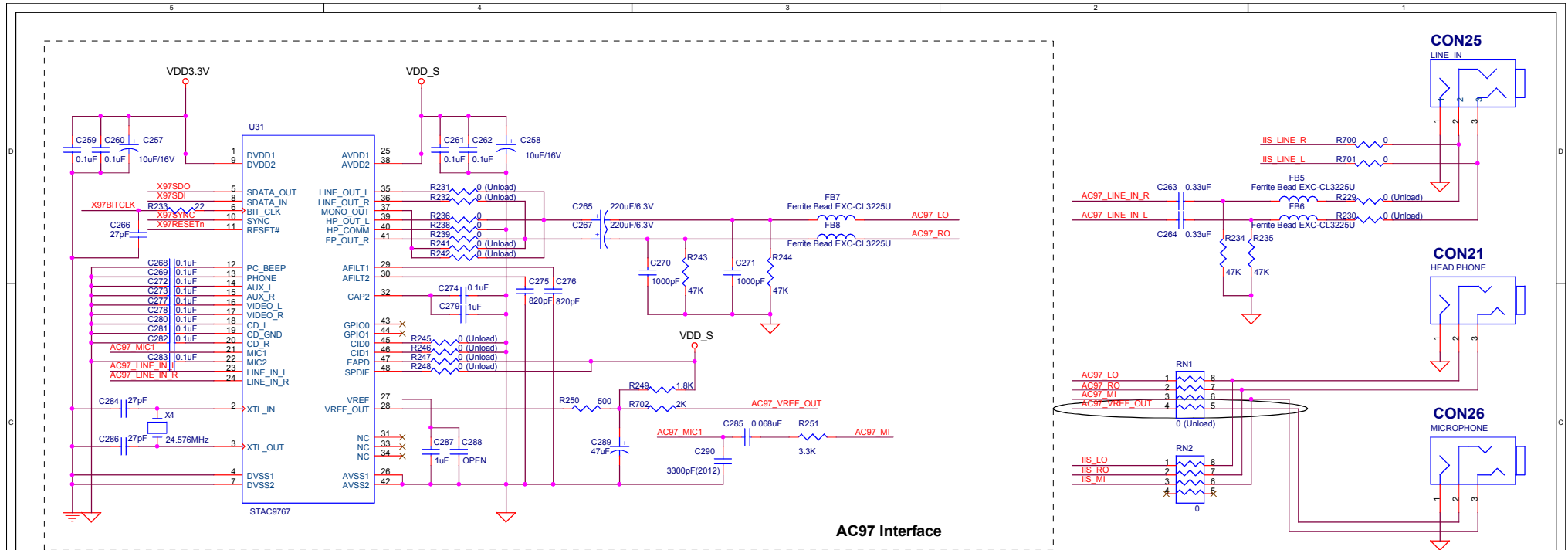


Silk

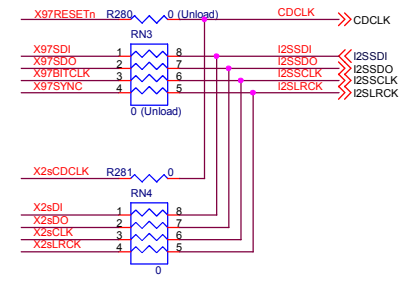
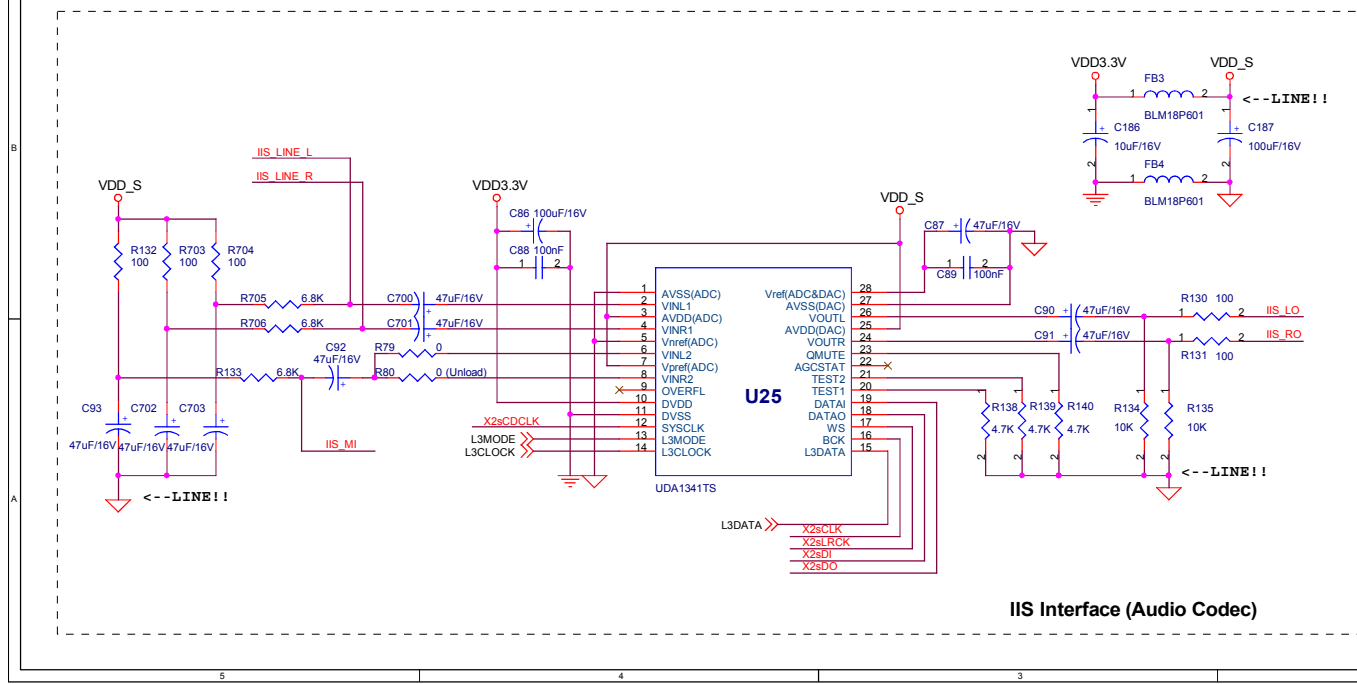
SIO 9P	J16, J18	J17, J19
COM2 UART1	2-3 (D)	-
COM2 UART2	1-2	2-3
IrDA	-	1-2

SAMSUNG ELECTRONICS CO., LTD		
Title: SMDK2440 (S3C2440 Evaluation Board)		
Size: A3	Document Number: UART / IrDA	Rev: 1.0
Date: Thursday, January 06, 2005	Sheet: 7	of 12

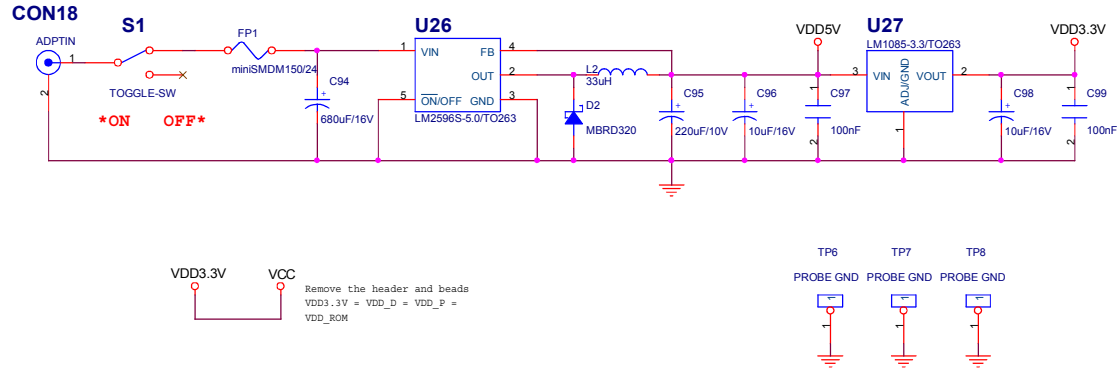




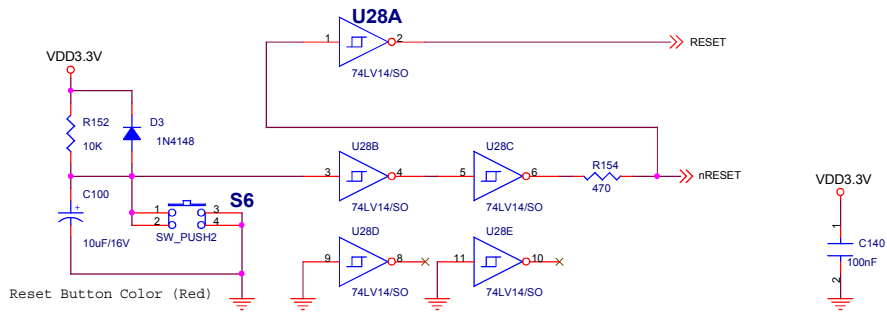
	AC'97	IIS
RN1, RN3, R280		
R229, R230	SHORT	OPEN
RN2, RN4, R281		
R700, R701	OPEN	SHORT



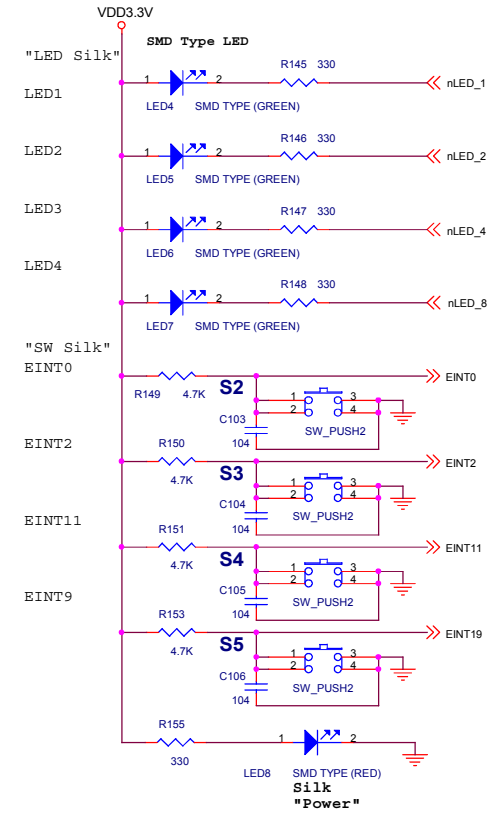
DC Power Input (DC 9V 2A)



Power Input

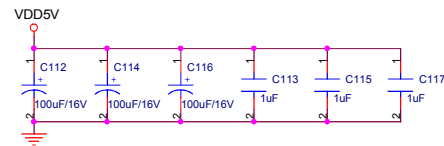
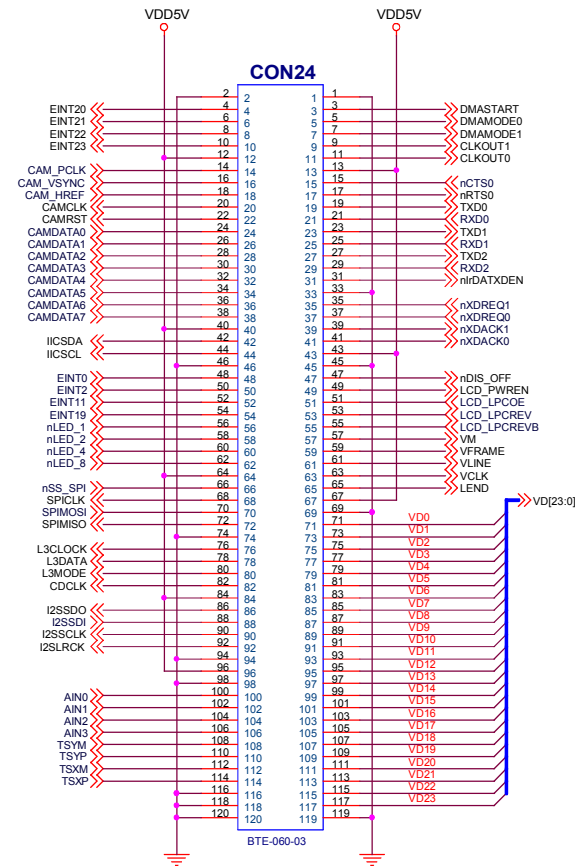
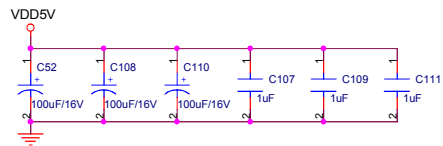
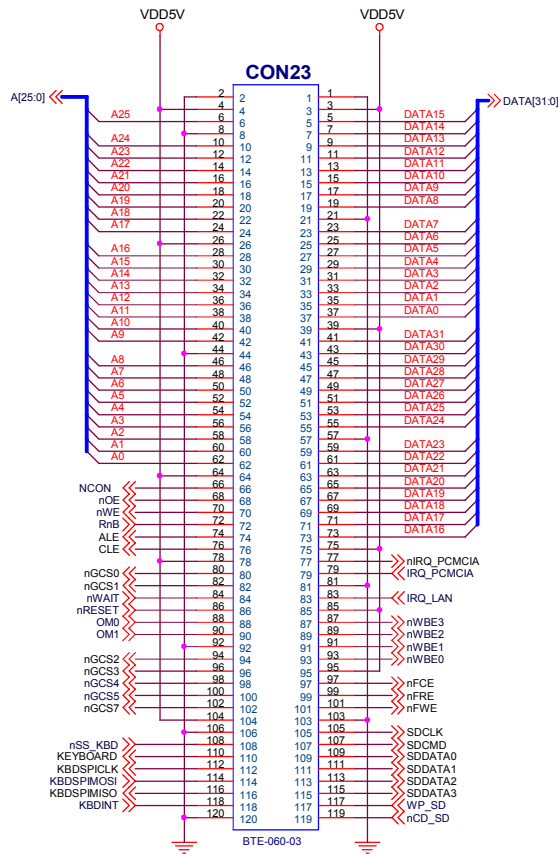


Reset SW



Power & Debug LED

SAMSUNG ELECTRONICS CO.,LTD		
Title SMDK2440 (S3C2440 Evaluation Board)		
Size A3	Document Number POWER / LED / Reset	Rev 1.0
Date: Thursday, January 06, 2005	Sheet 10	of 12



SAMSUNG ELECTRONICS CO., LTD		
Title: SMDK2440 (S3C2440 Evaluation Board)		
Size: A3	Document Number: Board to Board connector	Rev: 1.0
Date: Thursday, January 06, 2005	Sheet: 11	of 12

